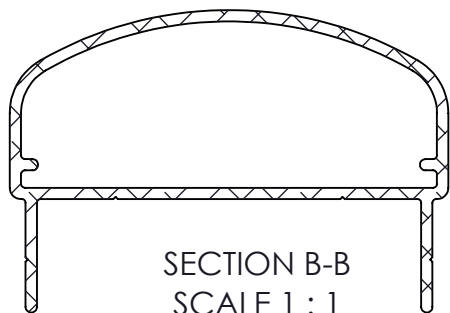
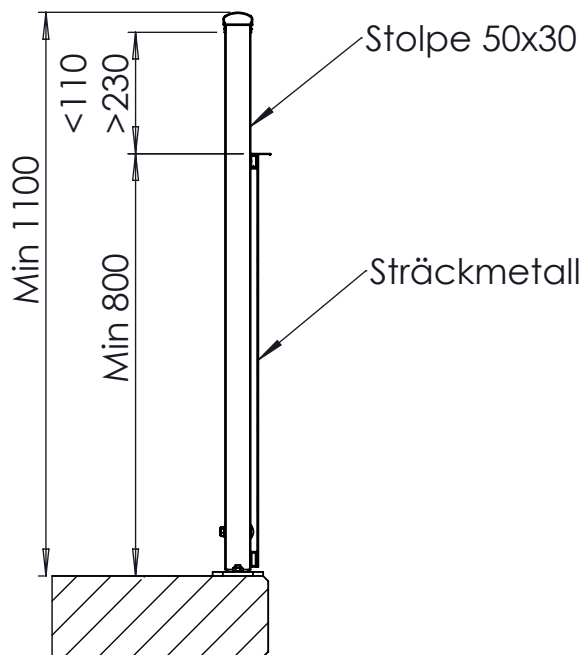
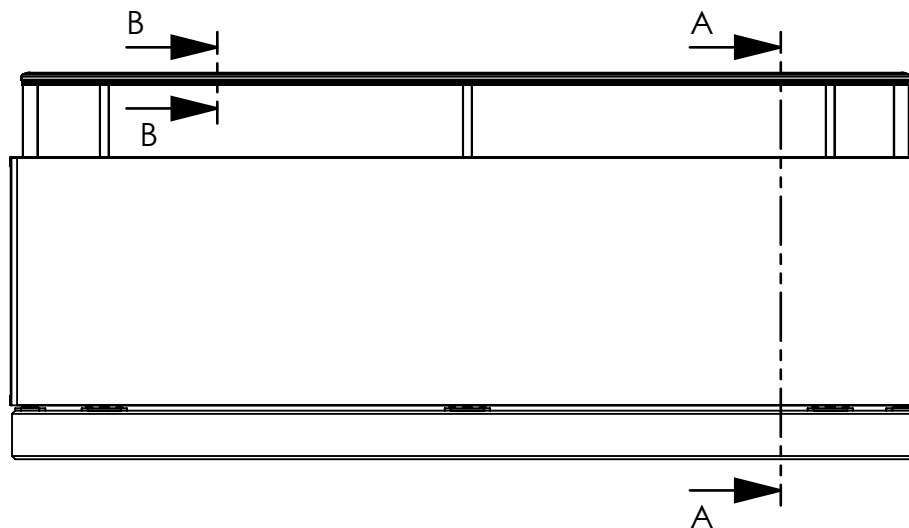


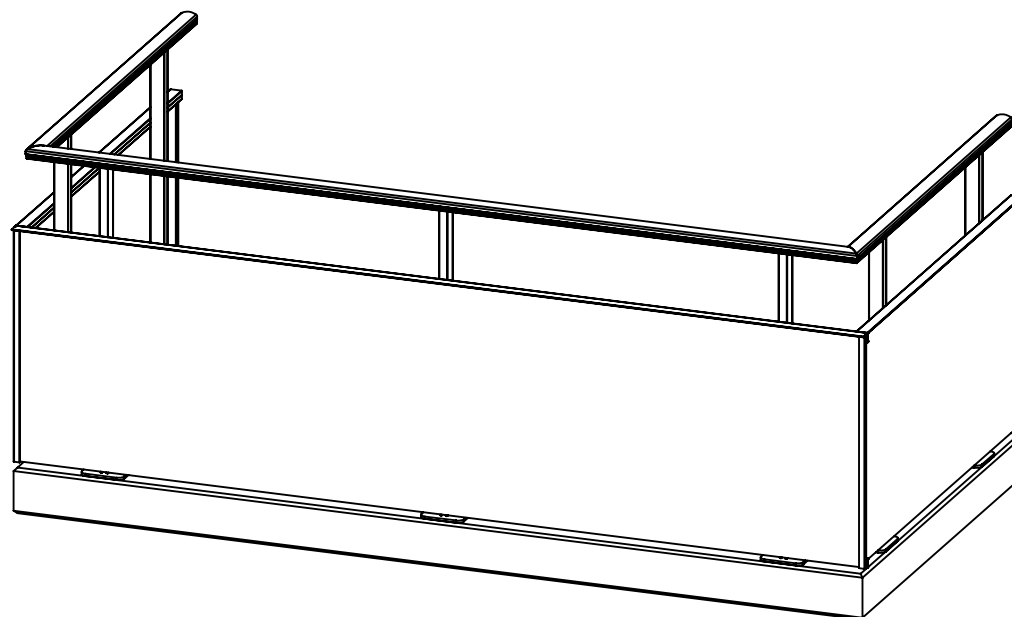
Handledare typ 21




SECTION B-B
SCALE 1 : 1



SECTION A-A
SCALE 1 : 15

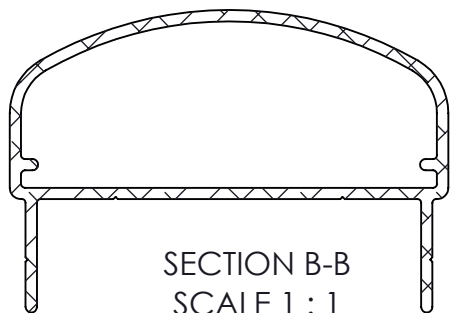


| | | | | | | | | | | |
|--|-------------|-----------|-------------|-------------|-------|---------------|------------------------------------|--|-------------|-------|
| Konstr. EF | Ritad EF | Kop. - | Kontr. - | Stand. - | Godk. | Skala 1:25 | Generell tolerans SS-ISO 2768-m | | | |
|  | | | | | | | RT301 Golvfäste | | Ordernummer | Datum |
| | | | | | | | Ritningsnummer SW14027276 | | Rev. - | |

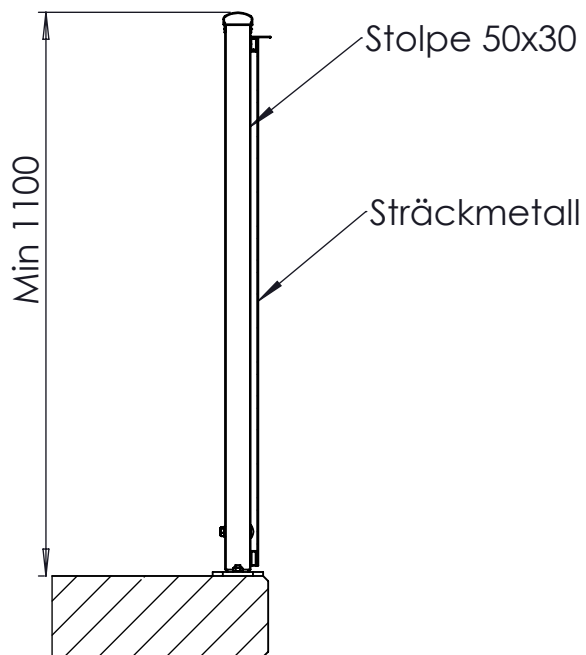
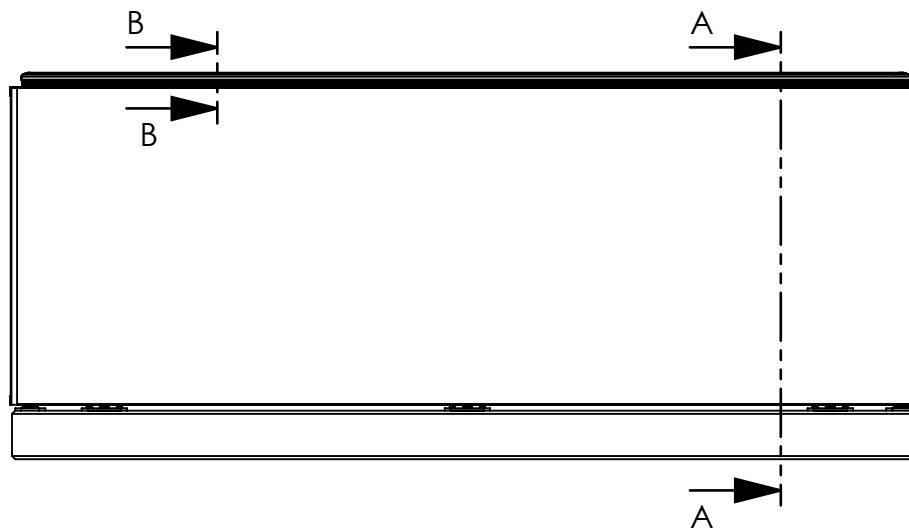
| | | | | | |
|-----|-----|-----------------------------|-------|------|-------|
| Rev | Ant | Ändring och/eller medd.-nr. | Datum | Inf. | Godk. |
|-----|-----|-----------------------------|-------|------|-------|

Björnstorpsvägen 2
342 30 Alvesta
Tel: 0472-44500

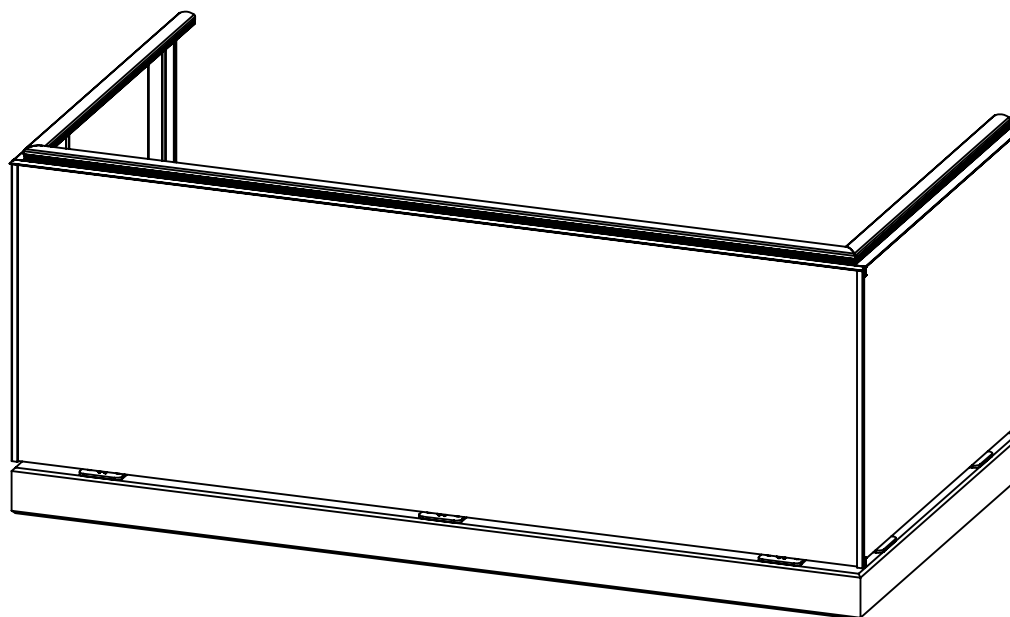
Handledare typ 21




SECTION B-B
SCALE 1 : 1



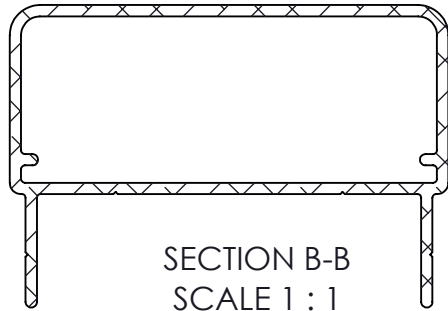
SECTION A-A
SCALE 1 : 15



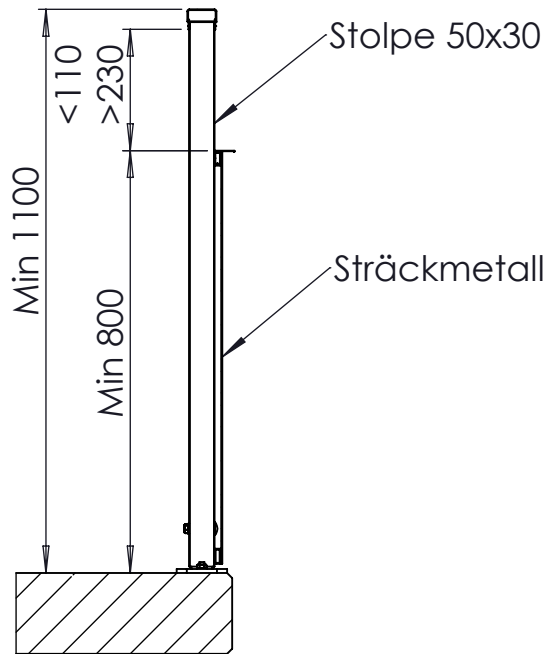
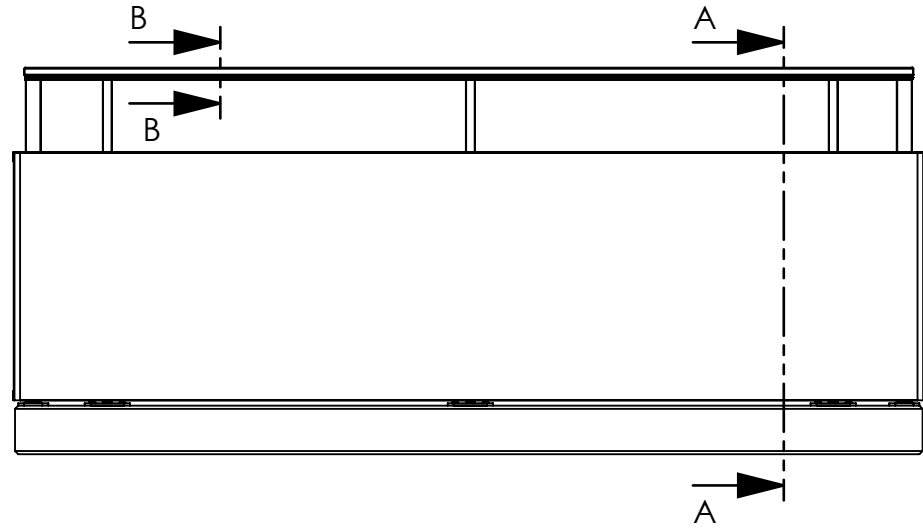
| | | | | | | | | | | |
|--|-------------|-----------|-------------|-------------|-------|---------------|------------------------------------|--|-------------|-------|
| Konstr. EF | Ritad EF | Kop. - | Kontr. - | Stand. - | Godk. | Skala 1:25 | Generell tolerans SS-ISO 2768-m | | | |
|  | | | | | | | RT301H Golvfäste | | Ordernummer | Datum |
| | | | | | | | Ritningsnummer SW14027290 | | Rev. - | |

| | | | | | |
|-----|-----|-----------------------------|-------|------|-------|
| Rev | Ant | Ändring och/eller medd.-nr. | Datum | Inf. | Godk. |
|-----|-----|-----------------------------|-------|------|-------|

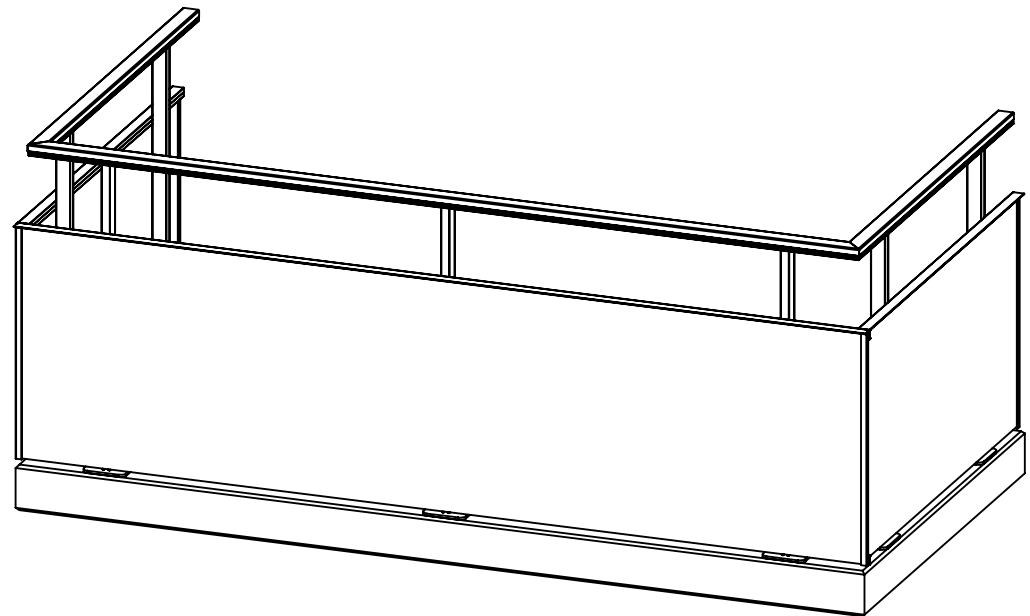
Handledare typ 31




SECTION B-B
SCALE 1 : 1



SECTION A-A
SCALE 1 : 15

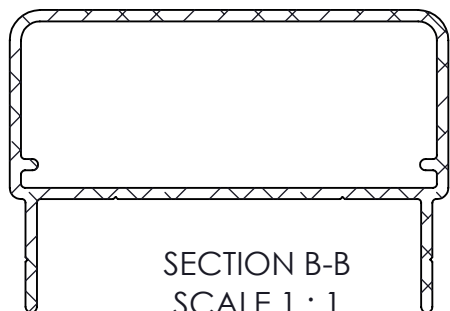


| | | | | | | | | | | |
|--|-------------|-----------|-------------|-------------|-------|---------------|------------------------------------|--|-------------|-------|
| Konstr. EF | Ritad EF | Kop. - | Kontr. - | Stand. - | Godk. | Skala 1:25 | Generell tolerans SS-ISO 2768-m | | | |
|  | | | | | | | RT301 Golvfäste | | Ordernummer | Datum |
| | | | | | | | Ritningsnummer SW14027302 | | Rev. - | |

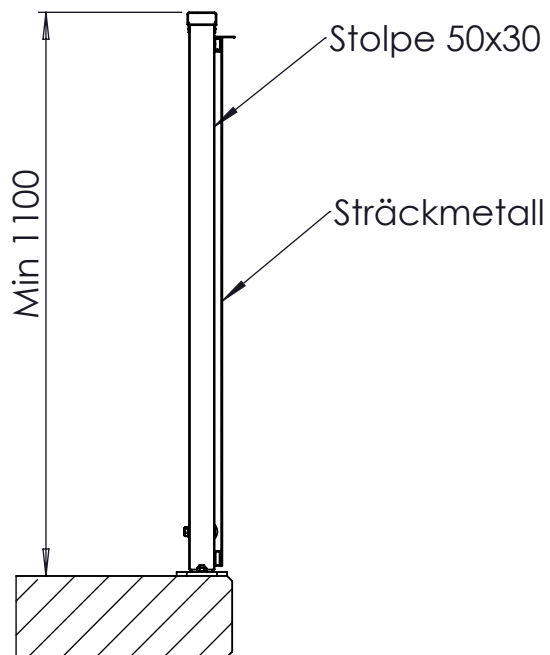
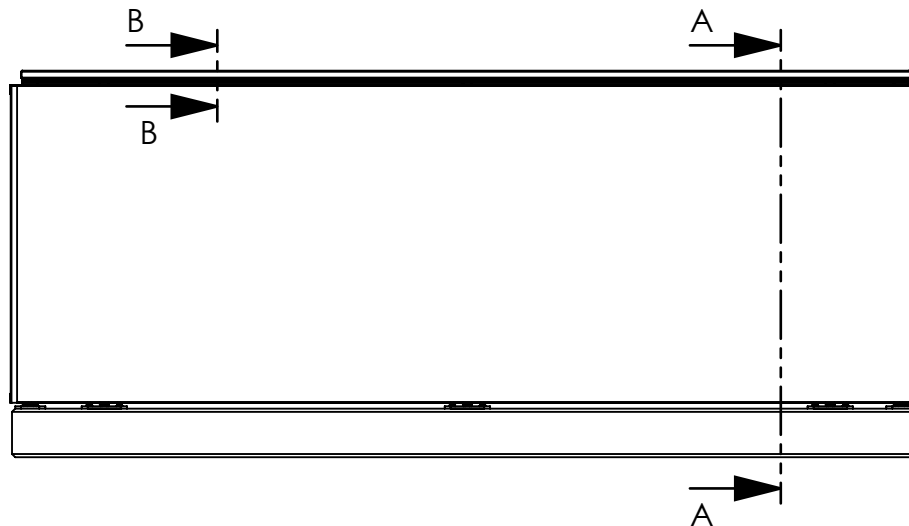
| | | | | | |
|-----|-----|-----------------------------|-------|------|-------|
| Rev | Ant | Ändring och/eller medd.-nr. | Datum | Inf. | Godk. |
|-----|-----|-----------------------------|-------|------|-------|

Björnstorpsvägen 2
342 30 Alvesta
Tel: 0472-44500

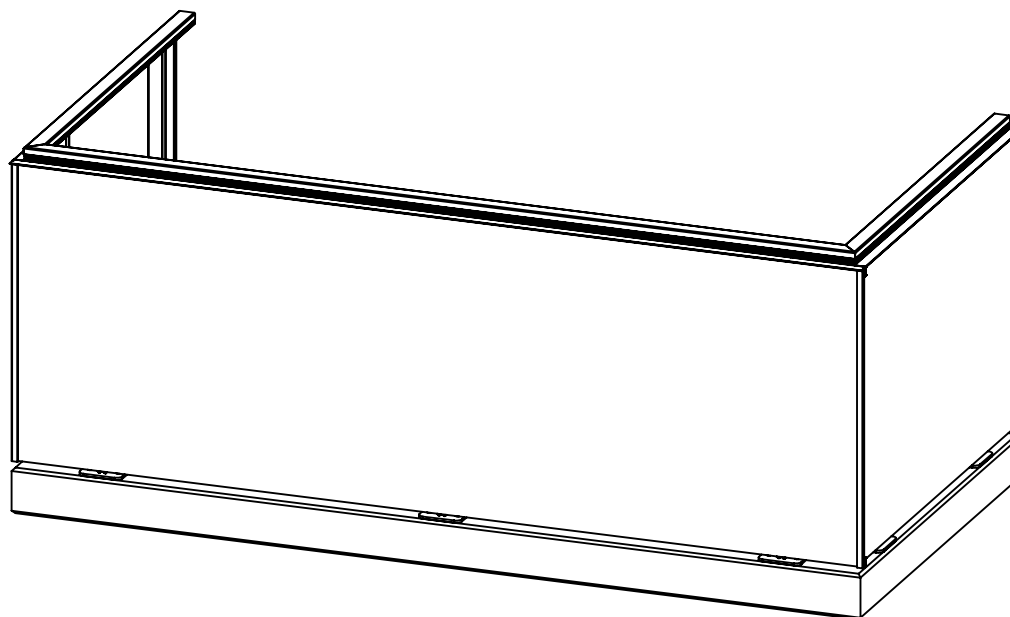
Handledare typ 31




SECTION B-B
SCALE 1 : 1



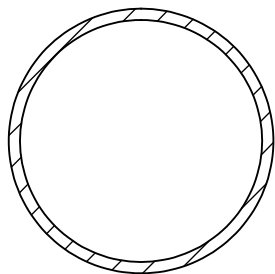
SECTION A-A
SCALE 1 : 15



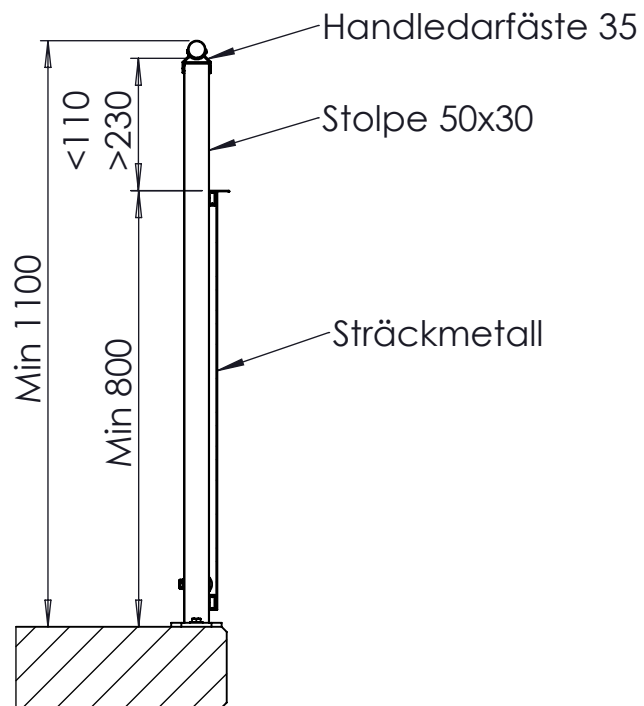
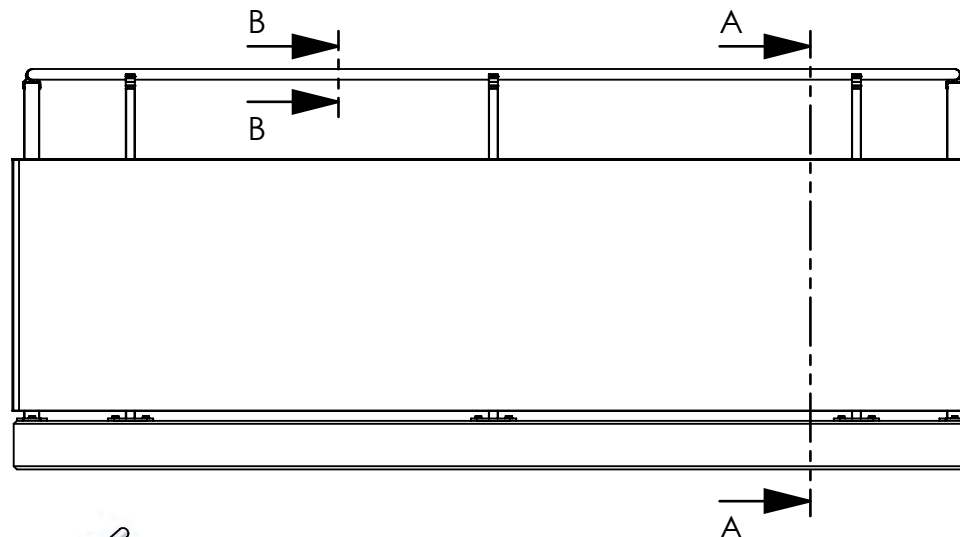
| | | | | | | | | | |
|--|-------------|-----------|-------------|-------------|-------|------------------------------|------------------------------------|-------------|-------|
| Konstr. EF | Ritad EF | Kop. - | Kontr. - | Stand. - | Godk. | Skala 1:25 | Generell tolerans SS-ISO 2768-m | | |
|  | | | | | | RT301H Golvfäste | | Ordernummer | Datum |
| | | | | | | Ritningsnummer SW14027315 | | Rev. - | |

| | | | | | |
|-----|-----|-----------------------------|-------|------|-------|
| Rev | Ant | Ändring och/eller medd.-nr. | Datum | Inf. | Godk. |
|-----|-----|-----------------------------|-------|------|-------|

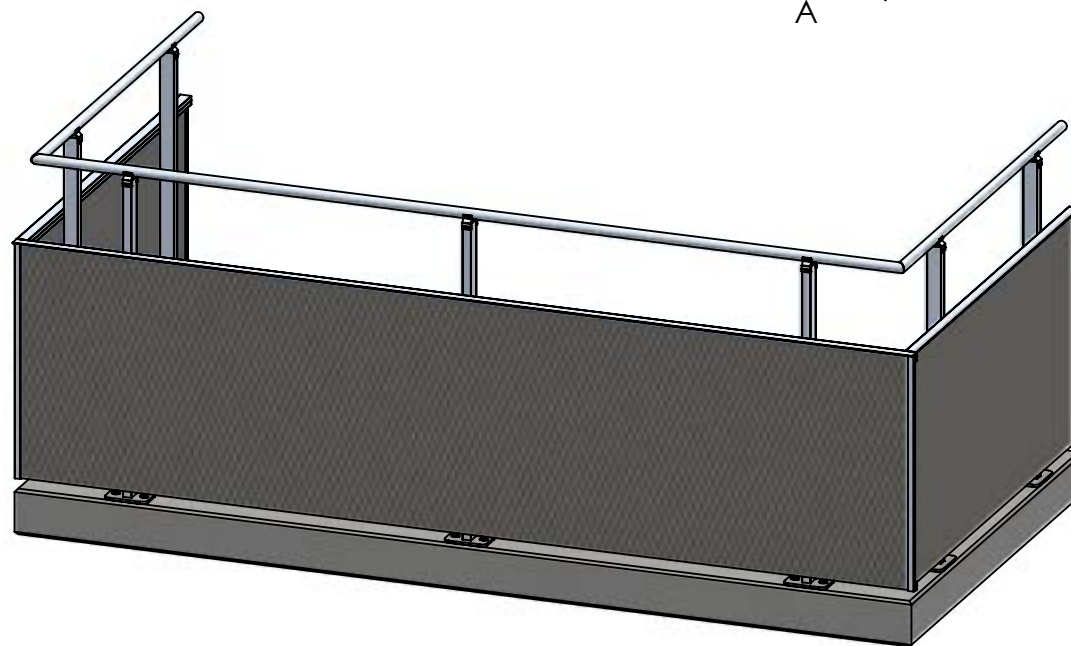
Handledare typ 35




SECTION B-B
SCALE 1 : 1



SECTION A-A
SCALE 1 : 15

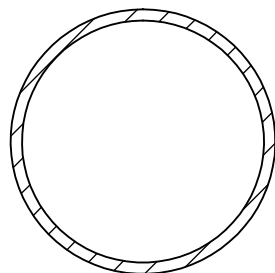


| | | | | | | | | | | |
|--|-------------|-----------|-------------|-------------|-------|---------------|------------------------------------|--|----------------------------|-------|
| Konstr. AK | Ritad AK | Kop. - | Kontr. - | Stand. - | Godk. | Skala 1:25 | Generell tolerans SS-ISO 2768-m | | | |
|  | | | | | | | RT301 Golvfäste | | Ordernummer PRINCIP | Datum |
| | | | | | | | | | Ritningsnummer 14014988 | Rev. |

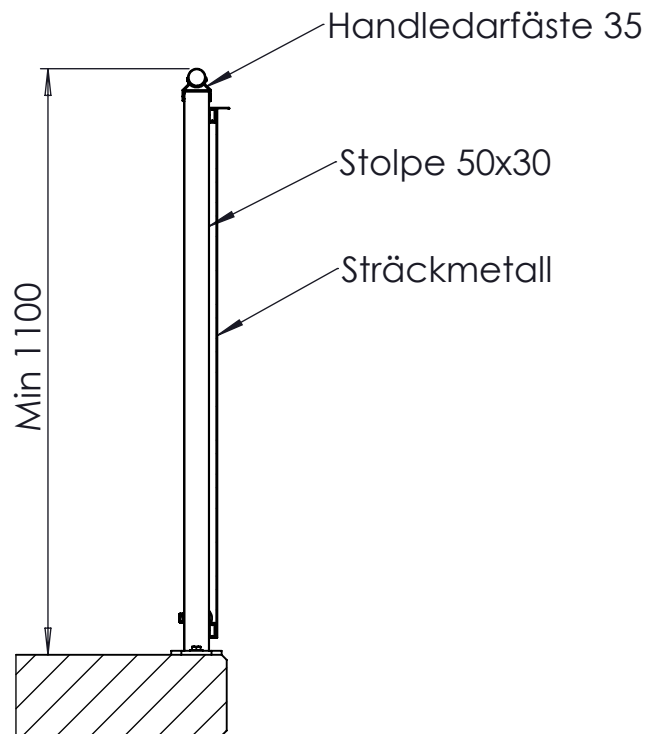
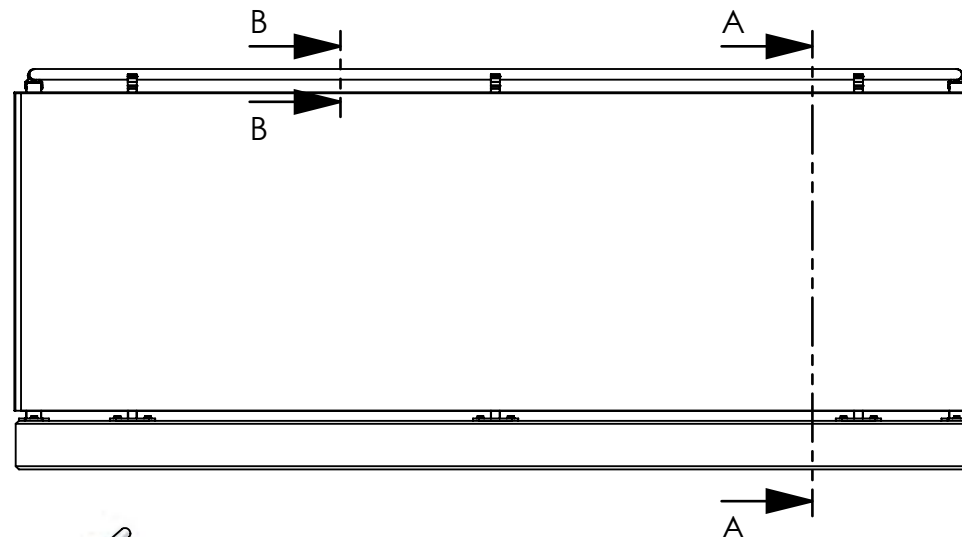
| | | | | | |
|-----|-----|-----------------------------|-------|------|-------|
| Rev | Ant | Ändring och/eller medd.-nr. | Datum | Inf. | Godk. |
|-----|-----|-----------------------------|-------|------|-------|

Björnstorpsvägen 2
342 30 Alvesta
Tel: 0472-44500

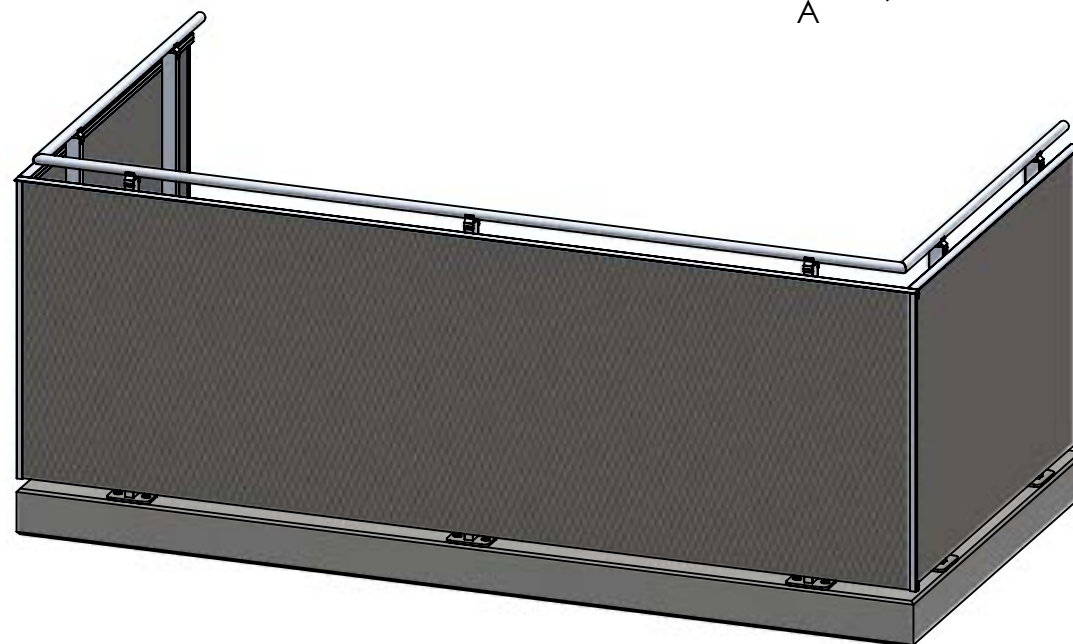
Handledare typ 35




SECTION B-B
SCALE 1 : 1



SECTION A-A
SCALE 1 : 15

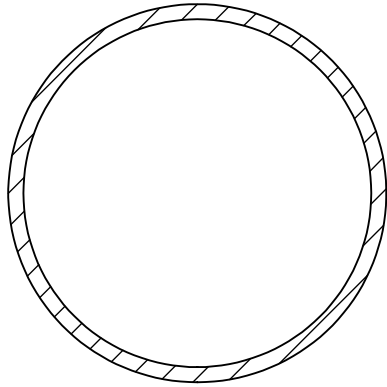


| | | | | | | | | | | |
|--|-------------|-----------|-------------|-------------|-------|---------------|------------------------------------|--|------------------------|-------|
| Konstr. AK | Ritad AK | Kop. - | Kontr. - | Stand. - | Godk. | Skala 1:25 | Generell tolerans SS-ISO 2768-m | | | |
|  | | | | | | | RT301H Golvfäste | | Ordernummer PRINCIP | Datum |
| | | | | | | | Ritningsnummer 14014851 | | Rev. | |

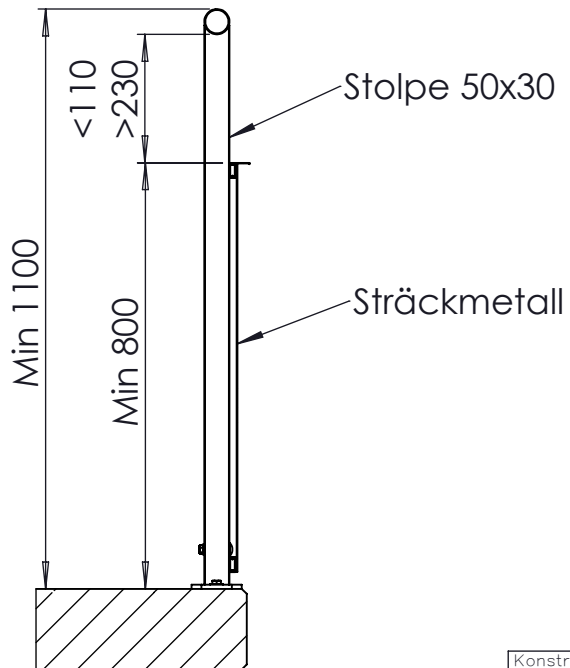
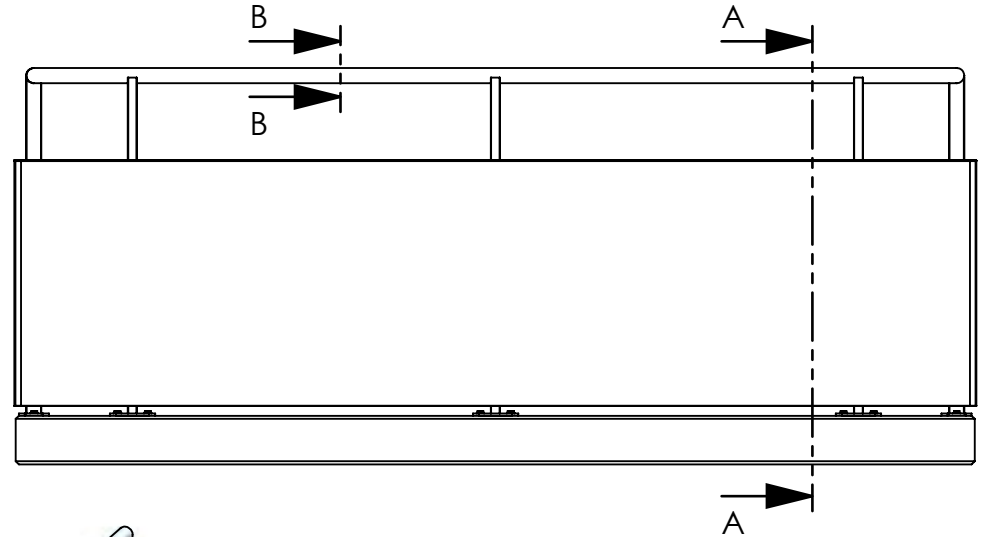
| | | | | | |
|-----|-----|-----------------------------|-------|------|-------|
| Rev | Ant | Ändring och/eller medd.-nr. | Datum | Inf. | Godk. |
|-----|-----|-----------------------------|-------|------|-------|

Björnstorpsvägen 2
342 30 Alvesta
Tel: 0472-44500

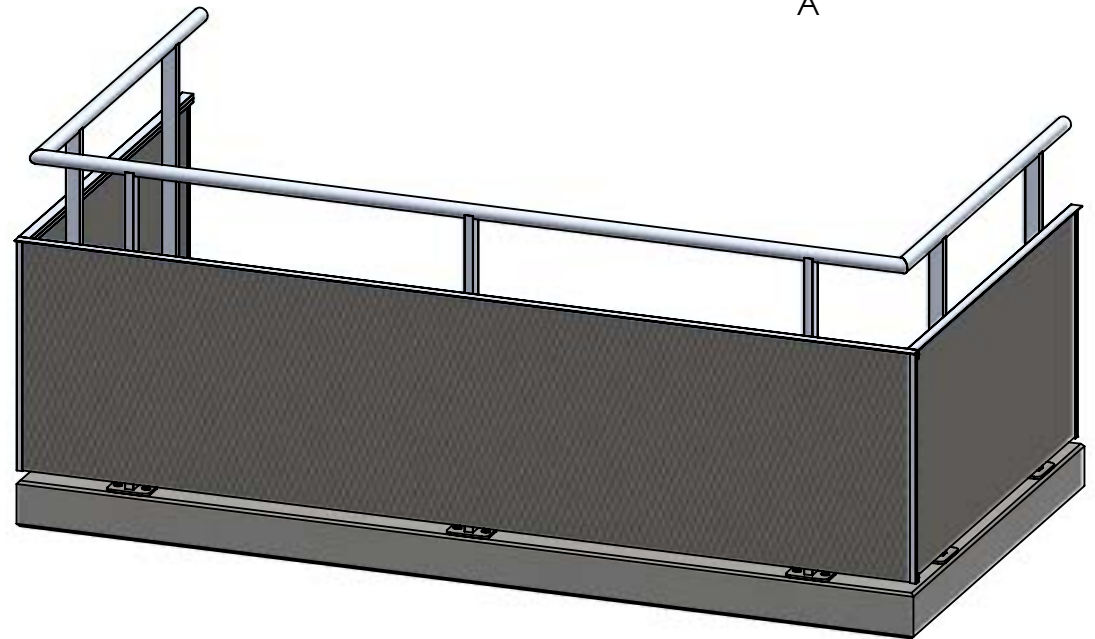
Handledare typ 50




SECTION B-B
SCALE 1 : 1



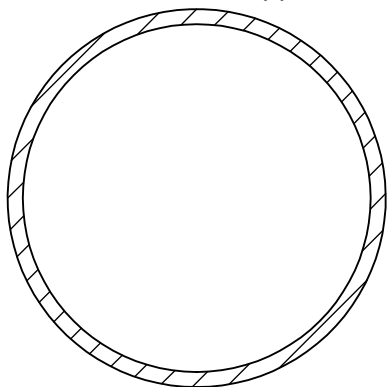
SECTION A-A
SCALE 1 : 15



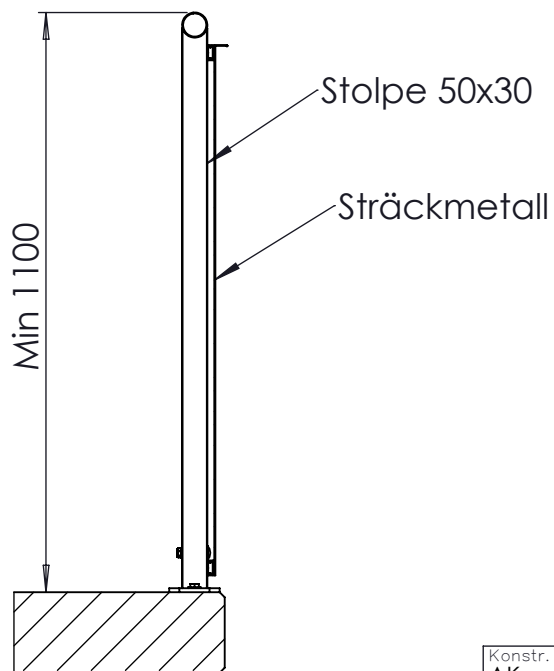
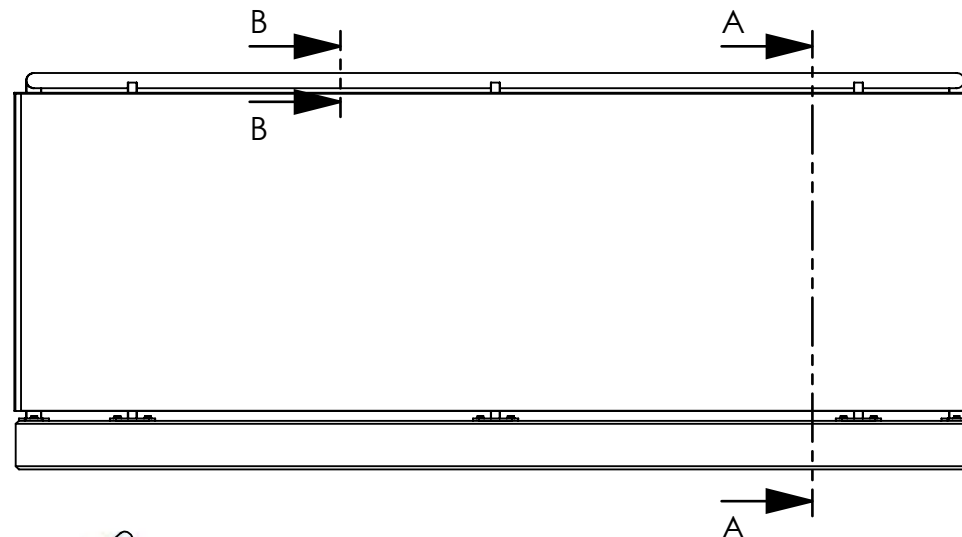
| | | | | | | | | | | |
|--|-------------|-----------|-------------|-------------|-------|---------------|------------------------------------|--|------------------------|-------|
| Konstr. AK | Ritad AK | Kop. - | Kontr. - | Stand. - | Godk. | Skala 1:25 | Generell tolerans SS-ISO 2768-m | | | |
|  | | | | | | | RT301 Golvfäste | | Ordernummer PRINCIP | Datum |
| | | | | | | | Ritningsnummer 14015016 | | Rev. | |

| | | | | | |
|-----|-----|-----------------------------|-------|------|-------|
| Rev | Ant | Ändring och/eller medd.-nr. | Datum | Inf. | Godk. |
|-----|-----|-----------------------------|-------|------|-------|

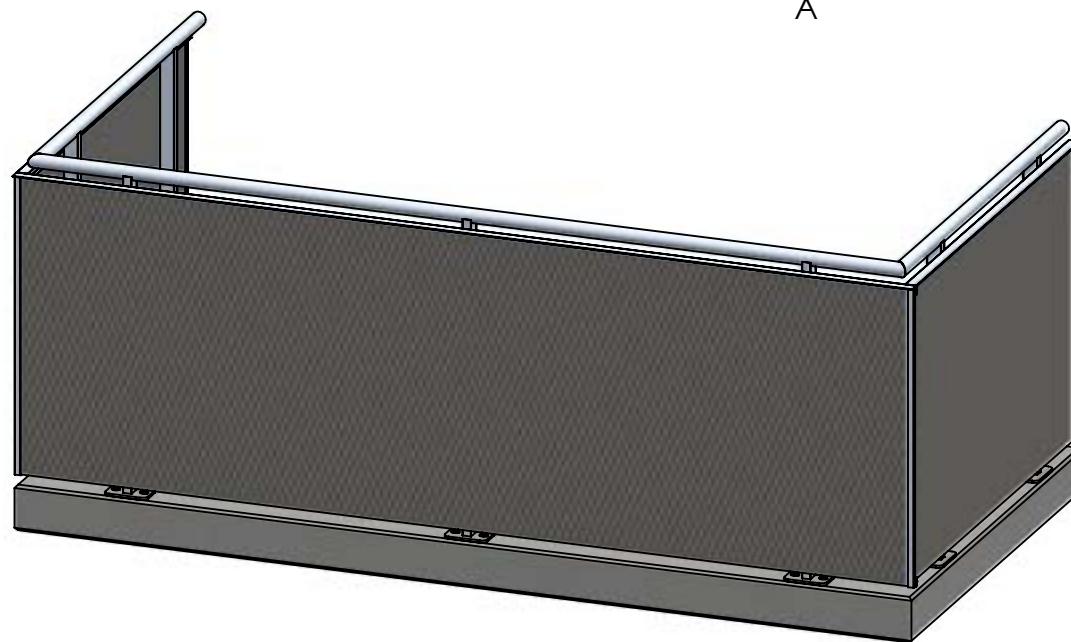
Handledare typ 50




SECTION B-B
SCALE 1 : 1



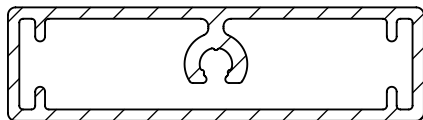
SECTION A-A
SCALE 1 : 15



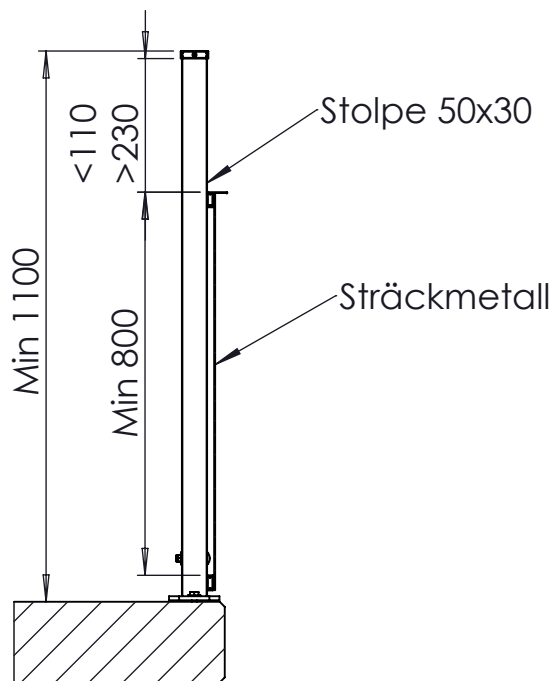
| | | | | | | | | | | |
|--|-------------|-----------|-------------|-------------|-------|---------------|------------------------------------|--|------------------------|-------|
| Konstr. AK | Ritad AK | Kop. - | Kontr. - | Stand. - | Godk. | Skala 1:25 | Generell tolerans SS-ISO 2768-m | | | |
|  | | | | | | | RT301H Golvfäste | | Ordernummer PRINCIP | Datum |
| | | | | | | | Ritningsnummer 14014876 | | Rev. | |

| | | | | | |
|-----|-----|-----------------------------|-------|------|-------|
| Rev | Ant | Ändring och/eller medd.-nr. | Datum | Inf. | Godk. |
|-----|-----|-----------------------------|-------|------|-------|

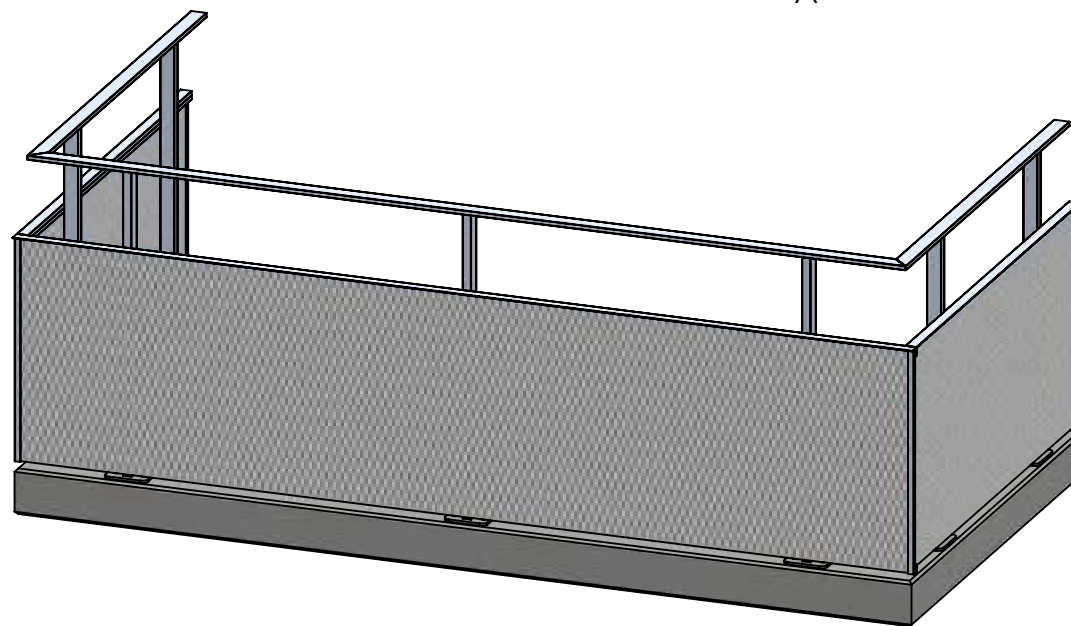
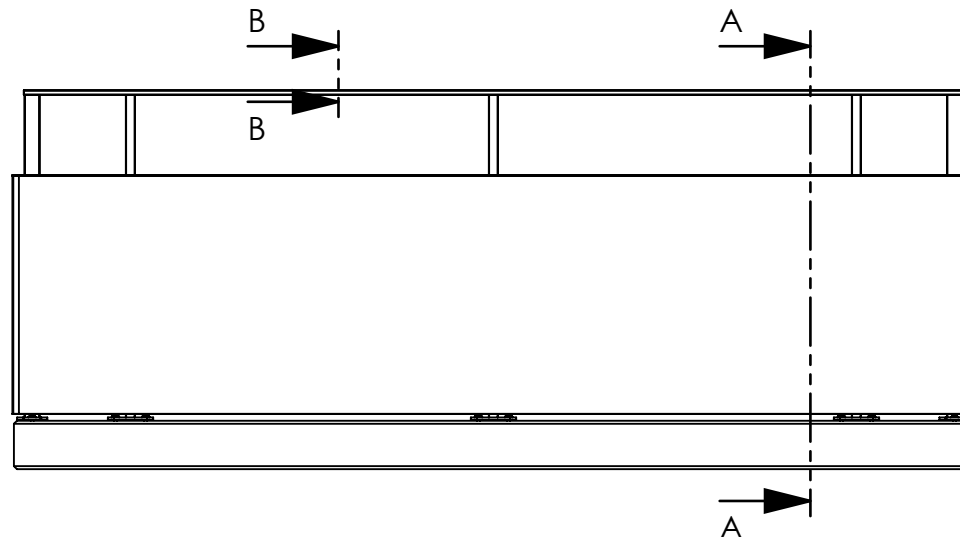
Handledare typ 55x15




SECTION B-B
SCALE 1 : 1



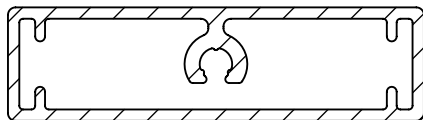
SECTION A-A
SCALE 1 : 15



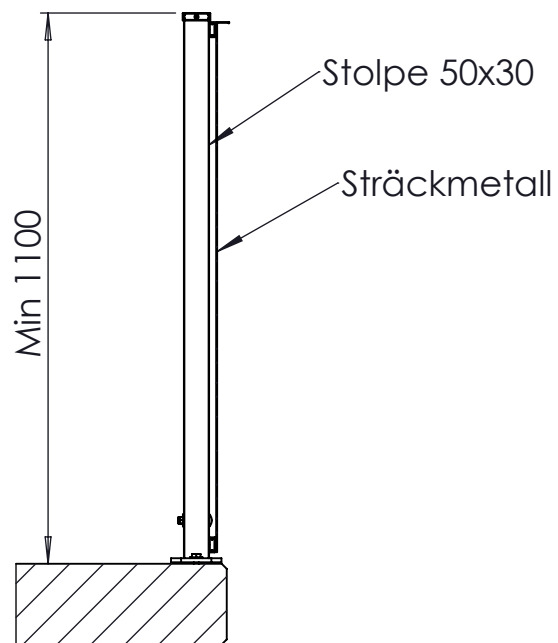
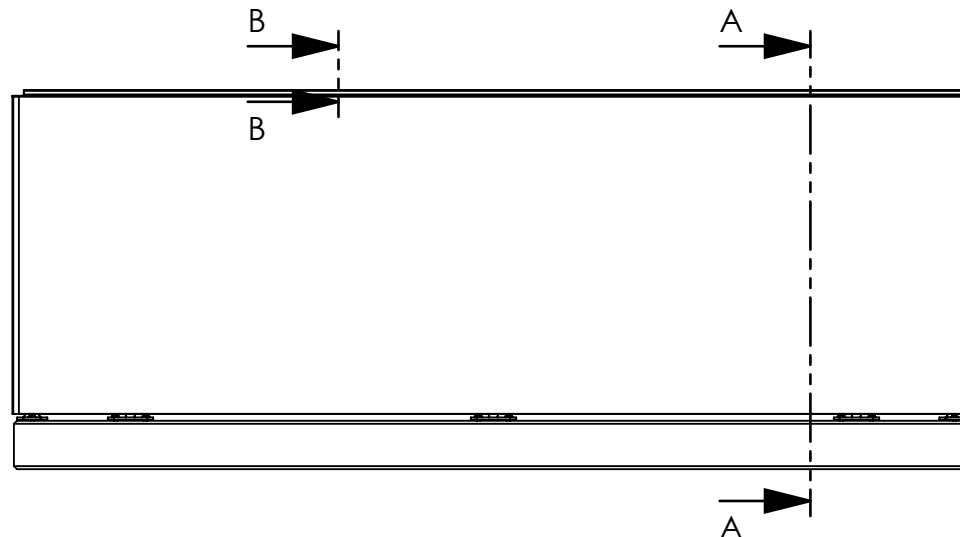
| | | | | | | | | | | |
|--|-------------|-----------|-------------|-------------|-------|---------------|------------------------------------|--|------------------------|---------------------|
| Konstr. AK | Ritad AK | Kop. - | Kontr. - | Stand. - | Godk. | Skala 1:25 | Generell tolerans SS-ISO 2768-m | | | |
|  | | | | | | | RT300 Golvfäste | | Ordernummer PRINCIP | Datum 2020-12-02 |
| | | | | | | | Ritningsnummer 14015046 | | Rev. | |

| | | | | | |
|-----|-----|-----------------------------|-------|------|-------|
| Rev | Ant | Ändring och/eller medd.-nr. | Datum | Inf. | Godk. |
|-----|-----|-----------------------------|-------|------|-------|

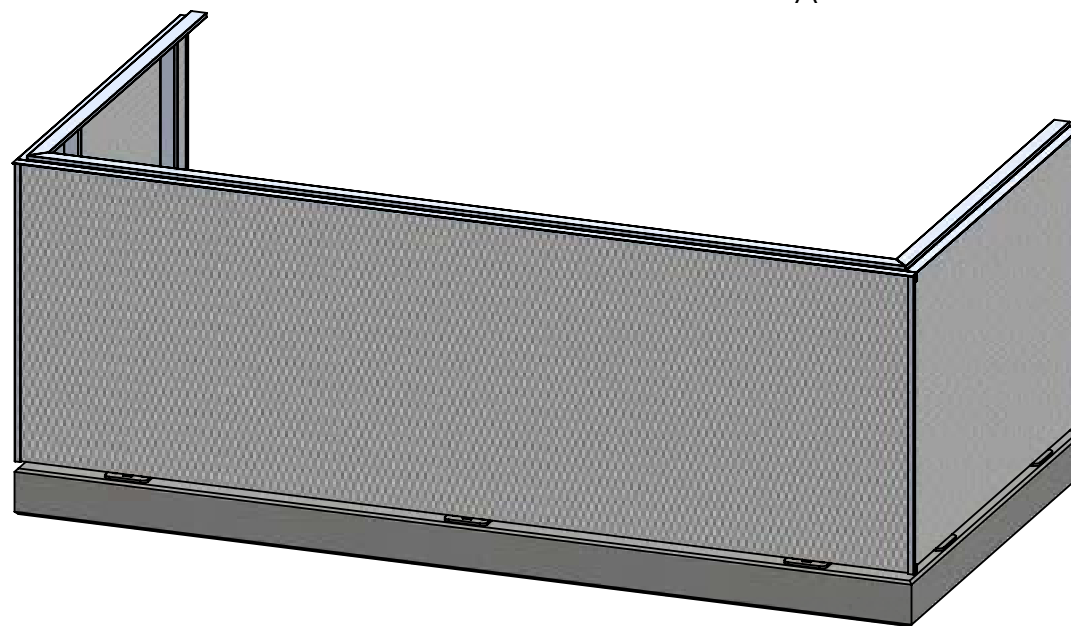
Handledare typ 55x15




SECTION B-B
SCALE 1 : 1



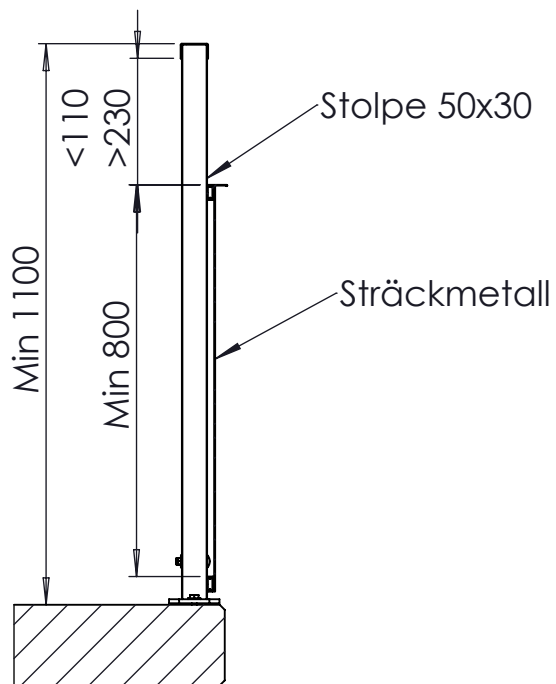
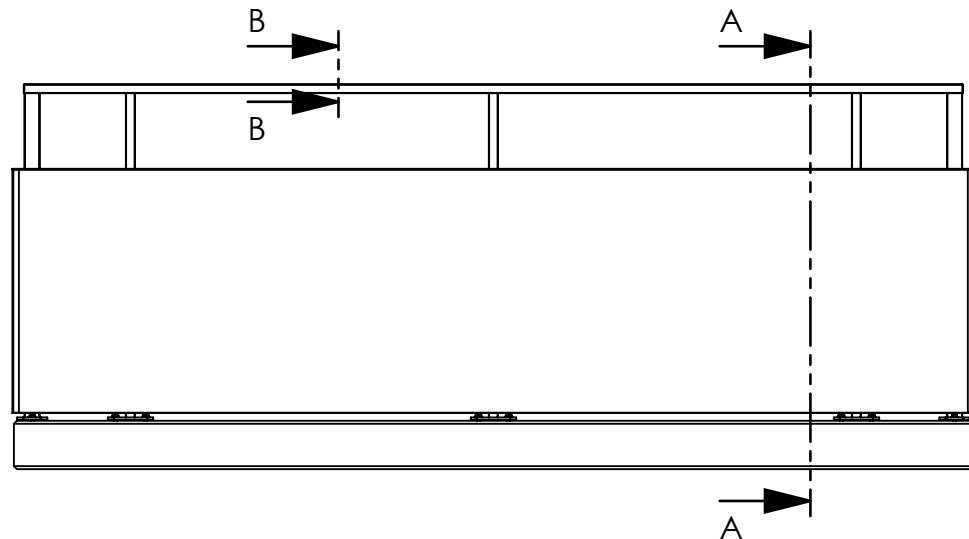
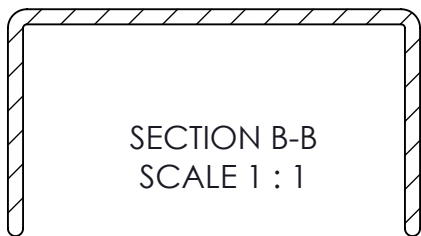
SECTION A-A
SCALE 1 : 15



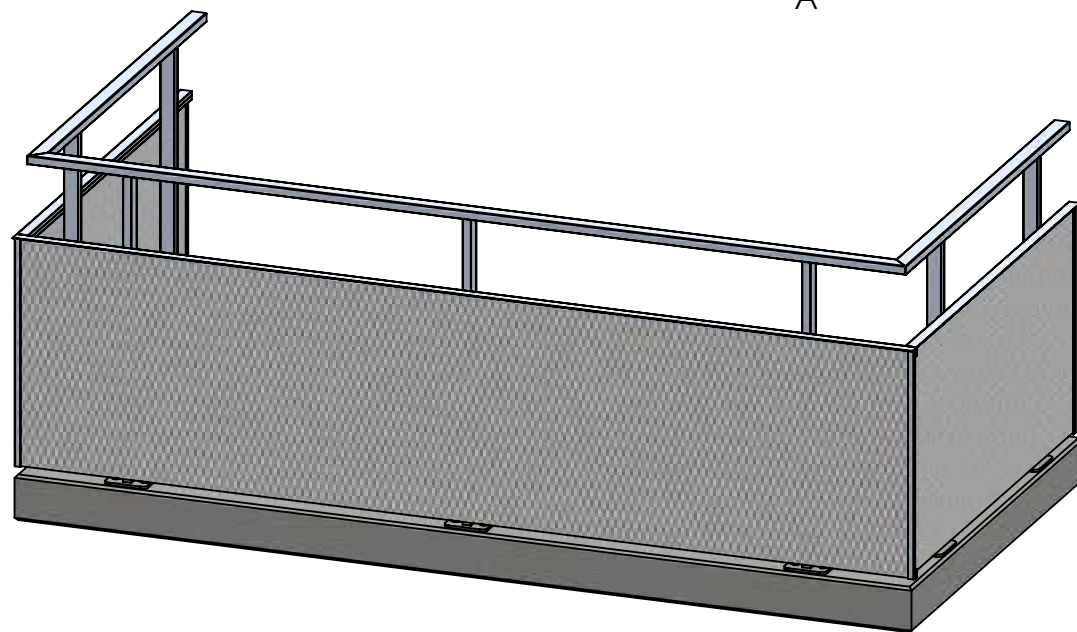
| | | | | | | | | |
|---|-------------|-----------|-------------|-------------|-------|---------------|------------------------------------|---------------------|
| Konstr. AK | Ritad AK | Kop. - | Kontr. - | Stand. - | Godk. | Skala 1:25 | Generell tolerans SS-ISO 2768-m | |
|  RT300H Golvfäste | | | | | | | Ordernummer PRINCIP | Datum 2020-12-02 |
| | | | | | | | Ritningsnummer 14014905 | Rev. |


| | | | | | |
|-----|-----|-----------------------------|-------|------|-------|
| Rev | Ant | Ändring och/eller medd.-nr. | Datum | Inf. | Godk. |
|-----|-----|-----------------------------|-------|------|-------|

Handledare typ U



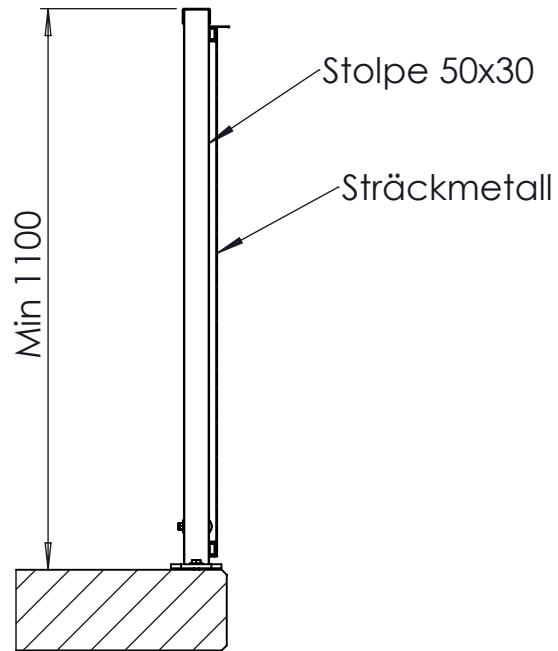
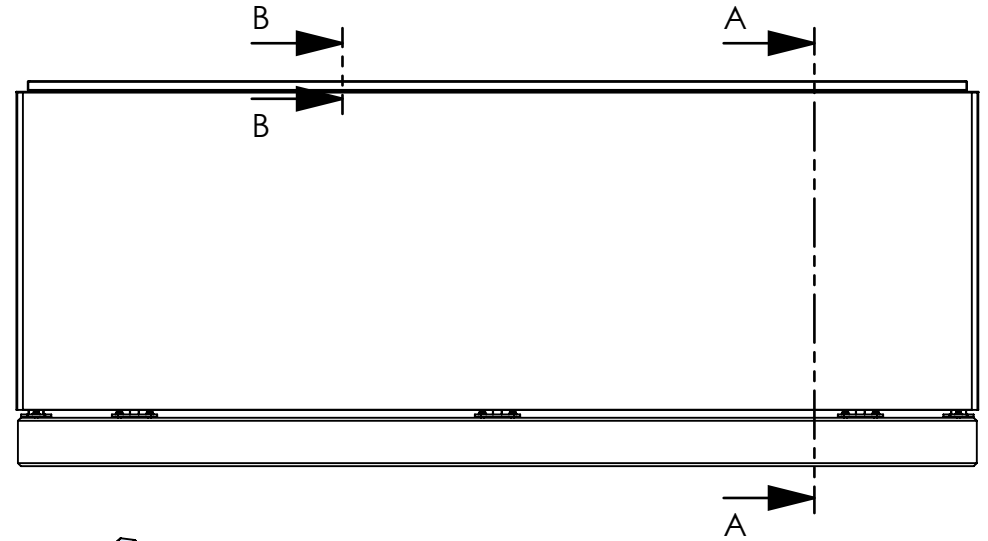
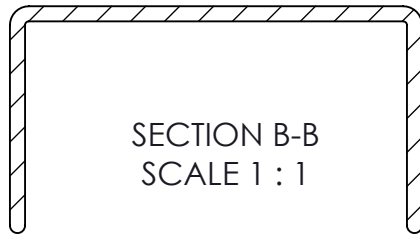
SECTION A-A
SCALE 1 : 15



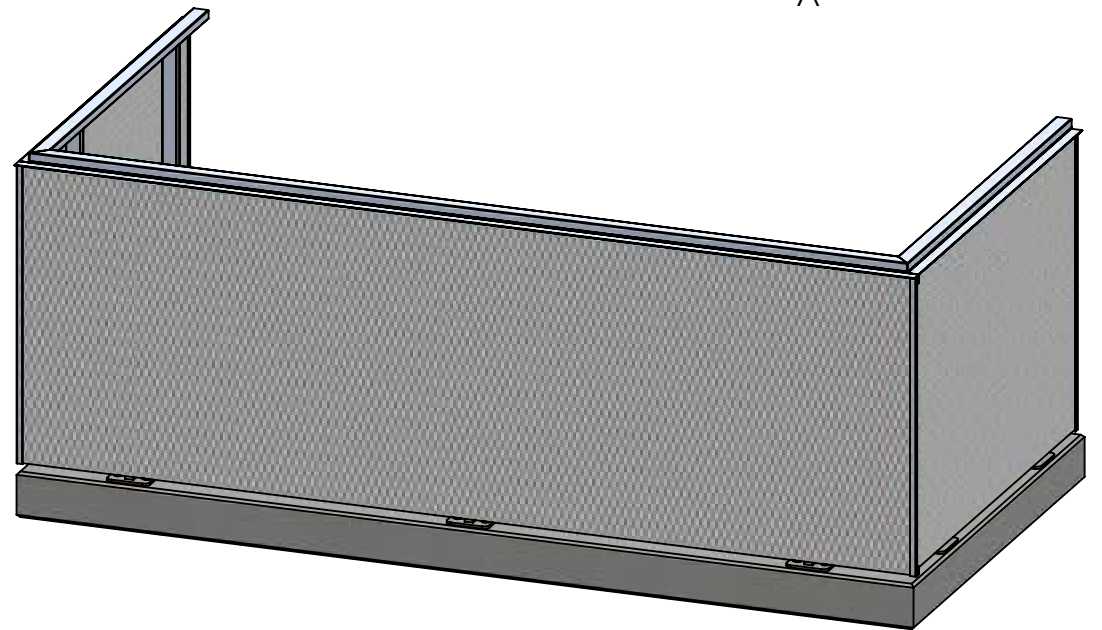
| | | | | | | | | |
|--|-------------|-----------|-------------|-------------|-------|---------------|------------------------------------|---------------------|
| Konstr. AK | Ritad AK | Kop. - | Kontr. - | Stand. - | Godk. | Skala 1:25 | Generell tolerans SS-ISO 2768-m | |
|  RT300 Golvfäste | | | | | | | Ordernummer PRINCIP | Datum 2020-12-02 |
| | | | | | | | Ritningsnummer 14015071 | Rev. |


| | | | | | |
|-----|-----|-----------------------------|-------|------|-------|
| Rev | Ant | Ändring och/eller medd.-nr. | Datum | Inf. | Godk. |
|-----|-----|-----------------------------|-------|------|-------|

Handledare typ U



SECTION A-A
SCALE 1 : 15

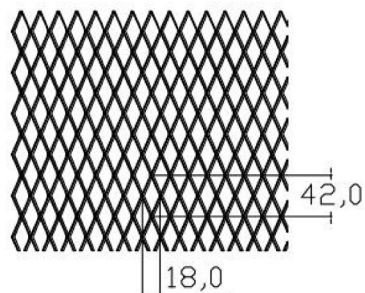


| | | | | | | | | |
|---|-------------|-----------|-------------|-------------|-------|---------------|------------------------------------|---------------------|
| Konstr. AK | Ritad AK | Kop. - | Kontr. - | Stand. - | Godk. | Skala 1:25 | Generell tolerans SS-ISO 2768-m | |
|  RT300H Golvfäste | | | | | | | Ordernummer PRINCIP | Datum 2020-12-02 |
| | | | | | | | Ritningsnummer 14014932 | |

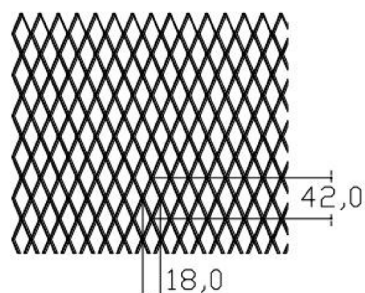
| | | | | | |
|-----|-----|-----------------------------|-------|------|-------|
| Rev | Ant | Ändring och/eller medd.-nr. | Datum | Inf. | Godk. |
|-----|-----|-----------------------------|-------|------|-------|

Björnstorpsvägen 2
342 30 Alvesta
Tel: 0472-44500

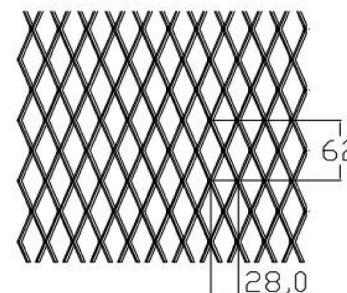
Sträckmetall Aluminium
Stående/Liggande mönster: 4218/4530



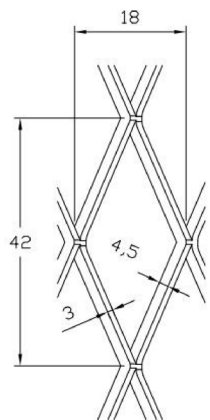
Sträckmetall Aluminium
Stående/Liggande mönster: 4218/6020



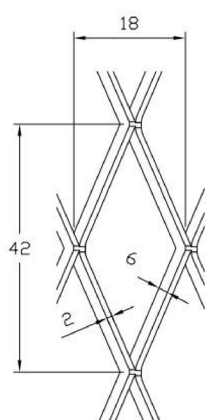
Sträckmetall Aluminium
Stående/Liggande mönster: 6228/4530



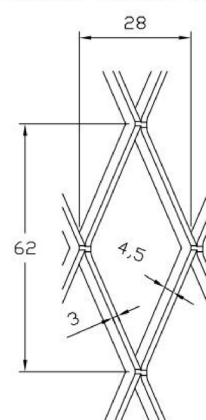
Sträckmetall Aluminium
Stående mönster: 4218/4530



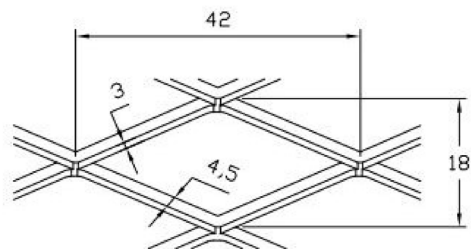
Sträckmetall Aluminium
Stående mönster: 4218/6020



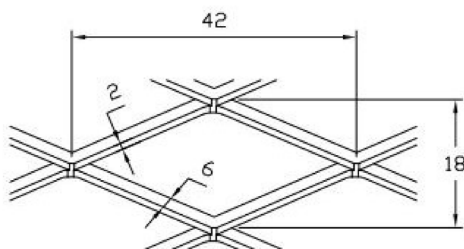
Sträckmetall Aluminium
Stående mönster: 6228/4530



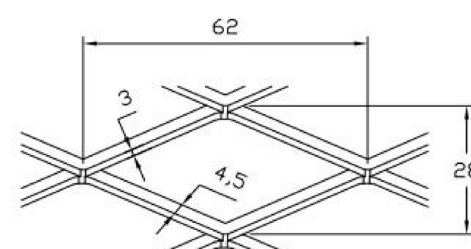
Sträckmetall Aluminium
Liggande mönster: 4218/4530




Sträckmetall Aluminium
Liggande mönster: 4218/6020



Sträckmetall Aluminium
Liggande mönster: 6228/4530




| | | | | | | | | | | |
|--|-------------|-----------|-------------|-------------|-------|--------------|------------------------------------|--|------------------------|---------------------|
| Konstr. AK | Ritad AK | Kop. - | Kontr. - | Stand. - | Godk. | Skala 1:1 | Generell tolerans SS-ISO 2768-m | | | |
|  | | | | | | | RT300H Golvfäste | | Ordernummer PRINCIP | Datum 2020-12-02 |
| | | | | | | | Ritningsnummer 14014932 | | Rev. | |

| | | | | | |
|-----|-----|-----------------------------|-------|------|-------|
| Rev | Ant | Ändring och/eller medd.-nr. | Datum | Inf. | Godk. |
|-----|-----|-----------------------------|-------|------|-------|

Björnstorpsvägen 2
342 30 Alvesta
Tel: 0472-44500



| | | | | | | | | | |
|--|-------------|-----------|-------------|-------------|-------|------------------------------|------------------------------------|-------------|-------|
| Konstr. EF | Ritad EF | Kop. - | Kontr. - | Stand. - | Godk. | Skala 1:25 | Generell tolerans SS-ISO 2768-m | | |
|  | | | | | | RT301 Golvfäste | | Ordernummer | Datum |
| | | | | | | Ritningsnummer SW14027276 | | Rev. - | |

| | | | | | |
|-----|-----|-----------------------------|-------|------|-------|
| Rev | Ant | Ändring och/eller medd.-nr. | Datum | Inf. | Godk. |
|-----|-----|-----------------------------|-------|------|-------|

Björnstorpsvägen 2
342 30 Alvesta
Tel: 0472-44500