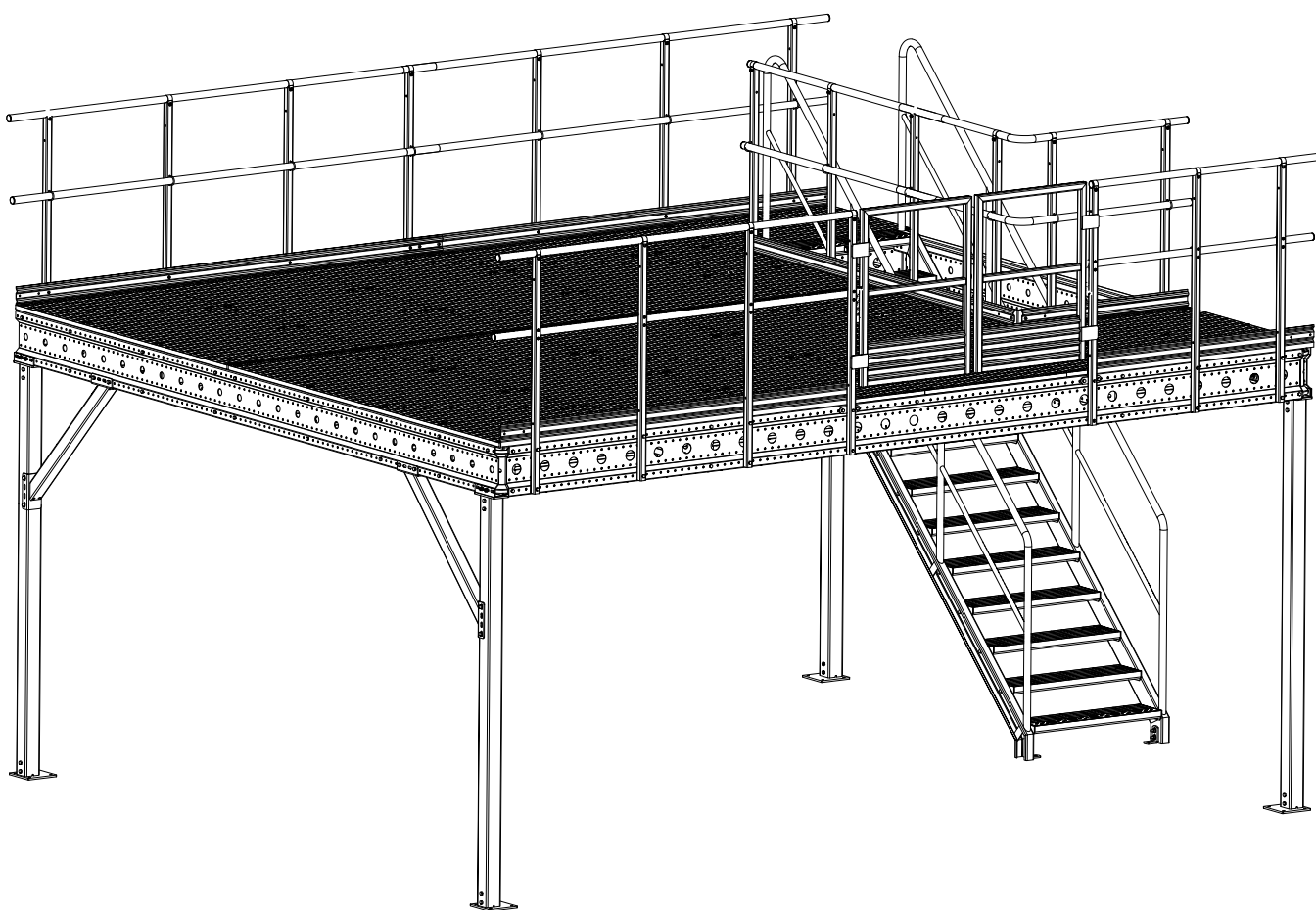
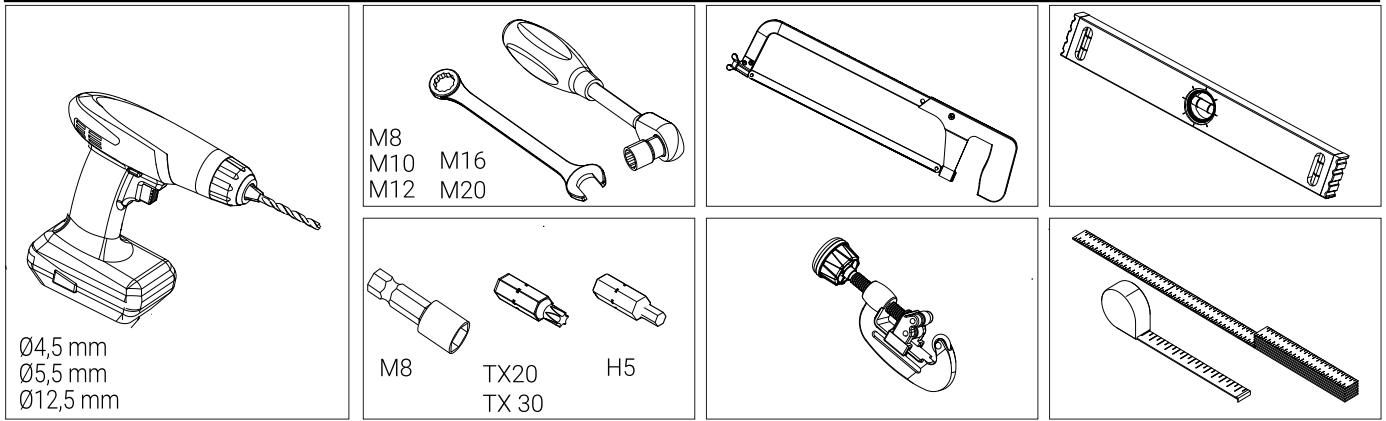


ENTRESOL
MEZZANINE
MEZZANIN
ENTRESOLIN

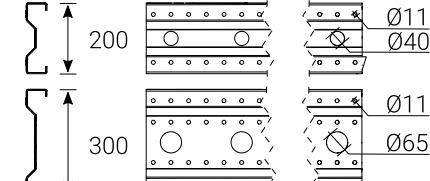
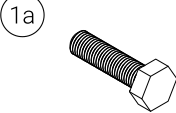
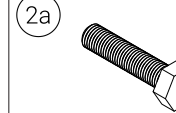
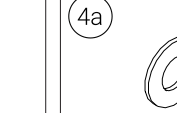
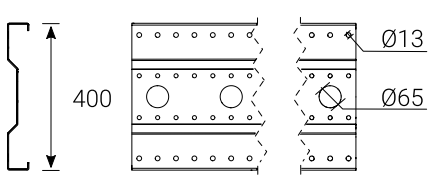
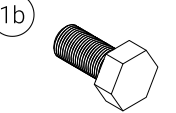
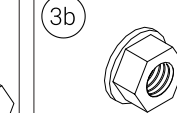
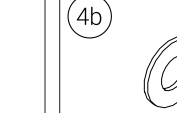
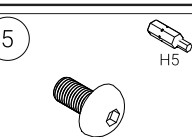
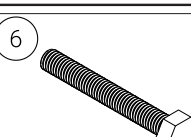
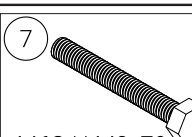
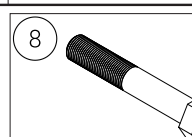
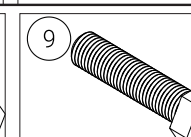
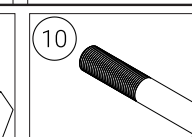
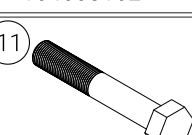
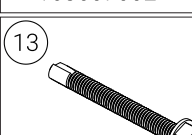
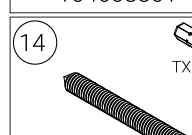
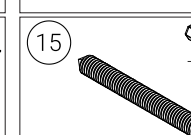
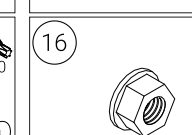
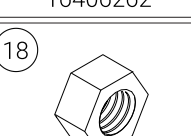
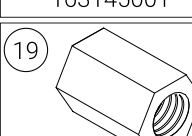
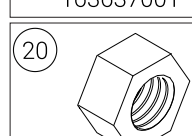
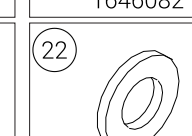


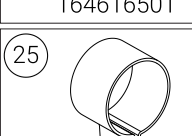
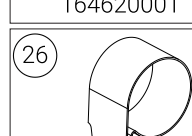
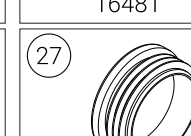
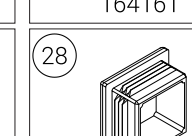
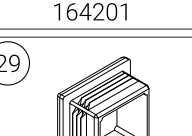
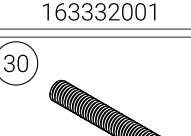



WELAND

VERKTYG SOM BEHÖVS • TOOLS REQUIRED • ERFORDERLICHE WERKZEUGE • TARVITAVAT TYÖKALUT

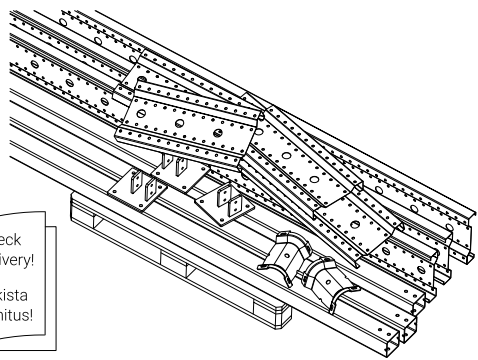





DETALJSPECIFIKATION • SPECIFICATION OF COMPONENTS • EINZELTEIL-SPEZIFIKATION • OSALUETTELO

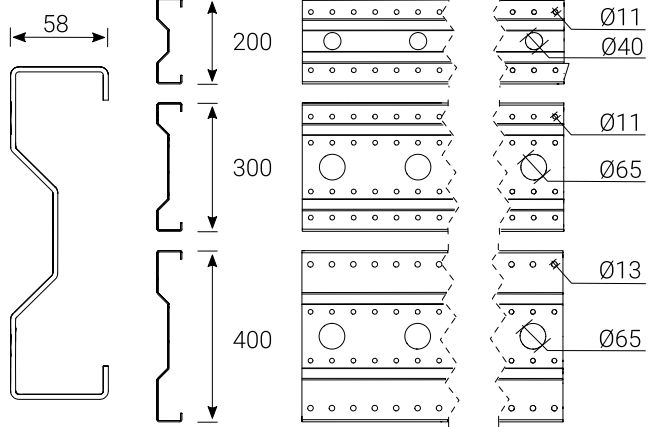
 <p>200 300</p> <p>Ø11 Ø40 Ø11 Ø65</p>	 <p>1a M6S-H M10x25, fzv 164610251</p>	 <p>2a M6S-H M10x35, fzv 164610351</p>	 <p>3a M6M M10, fzv 164610001</p>	 <p>4a M10, fzv 164101</p>	
 <p>400</p> <p>Ø13 Ø65</p>	 <p>1b M6S-H M12x25, Zn/Ni 164612251</p>	 <p>2b M6S M12x40, fzv 164612401</p>	 <p>3b M6MF M12, fzv 164612002</p>	 <p>4b M12, fzv 164121</p>	
 <p>5 H5 K6S M8x16, rf A2 164608162</p>	 <p>6 M6S-H M8x60, fzv 163606001</p>	 <p>7 M6S-H M8x70, rf A4 163607002</p>	 <p>8 M6S M10x80, fzv 164608801</p>	 <p>9 M6S M12x65, fzv 164612651</p>	 <p>10 M6S M12x130, fzv 164612131</p>
 <p>11 M6S M20x130, fzv 164620131</p>	 <p>12 STAPS 5,5x26, rf 16406262</p>	 <p>13 6,3x50, Zn/Ni 163145001</p>	 <p>14 TX20 6,3x70, Zn/Ni 163637001</p>	 <p>15 TX30 M6x65, Taptite Zn/Ni 0501381</p>	 <p>16 M6MF M8, rf A2 1646082</p>
 <p>17 Låsmutter M8, rf A4 1646080012</p>	 <p>18 M16, fzv 164616001</p>	 <p>19 M16, L=50, fzv 164616501</p>	 <p>20 M20, fzv 164620001</p>	 <p>21 BRB M8, 8,4x16x1,6 fzv 16481</p>	 <p>22 M16, fzv 164161</p>
 <p>23 M20, fzv 164201</p>	 <p>24 33X20, ZM310 163332001</p>	 <p>25 Ø42, rf 16342015</p>	 <p>26 Ø42, rf 16342022</p>	 <p>27 Ø42x1.5 759ÅH42</p>	 <p>28 30x30x3 759ÅH30</p>
 <p>29 40x40x3 759ÅH40</p>	 <p>30 M16x1000, fzv RB1610-00</p>	<p>SVENSKA - Bultdetaljer för infästning mot befintlig konstruktion ingår ej. ENGLISH - Bolts for fastening to wall or floor is not included in delivery. DEUTSCH - Verankerungsmaterial (Dübel) zur Befestigung der Behindertenrampe am Gebäude/Fundament sind nicht im Lieferumfang enthalten. SUOMI - Kiinnityspultit runkorakenteisiin eivät sisälly toimitukseen.</p>			



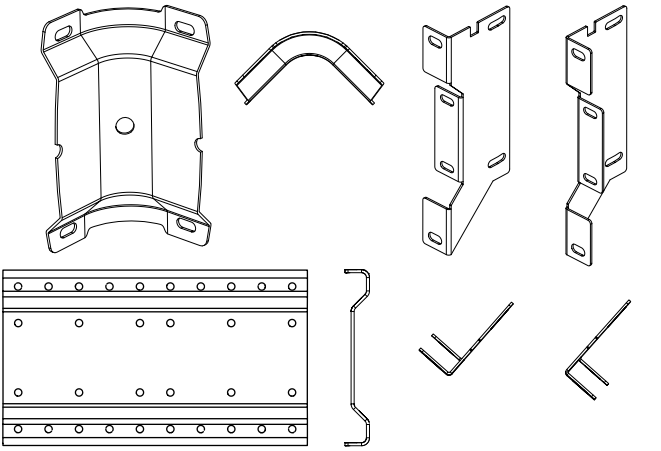
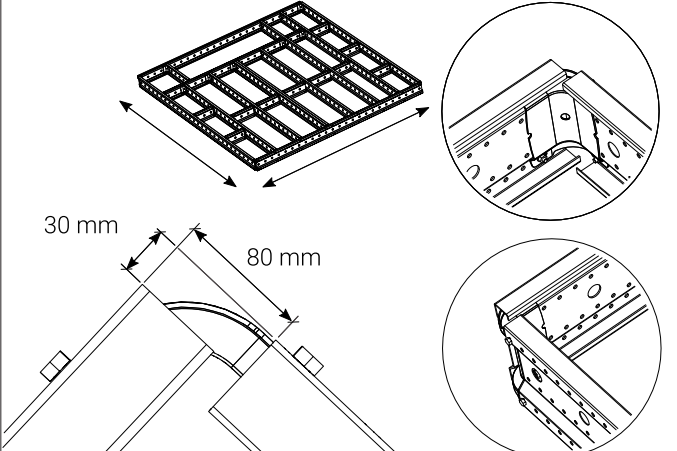
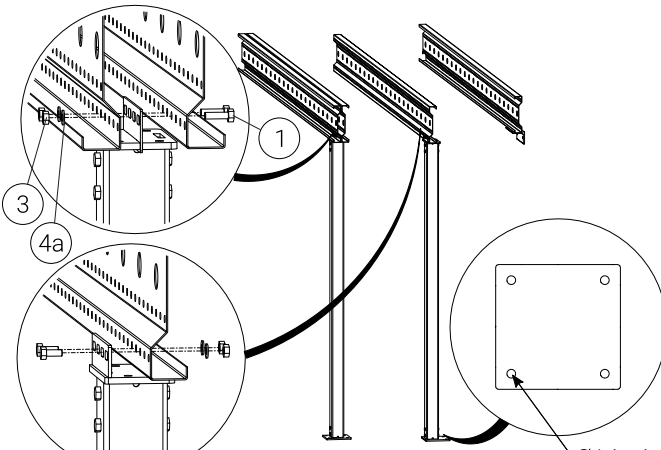
 Kontrollera leverans!
 Check delivery!
 Lieferung prüfen!
 Tarkista toimitus!



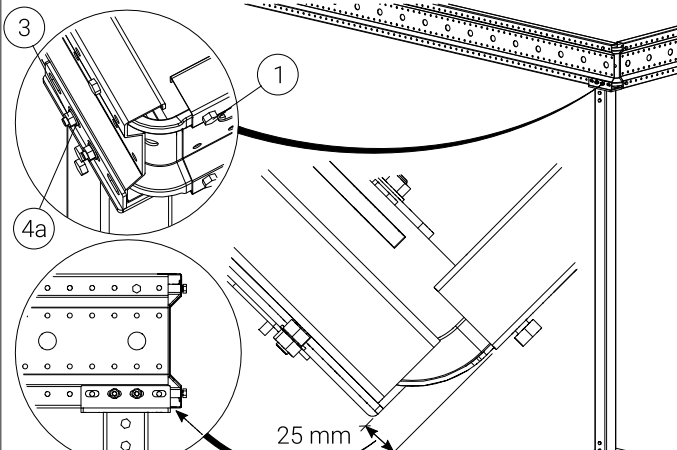



WELAND



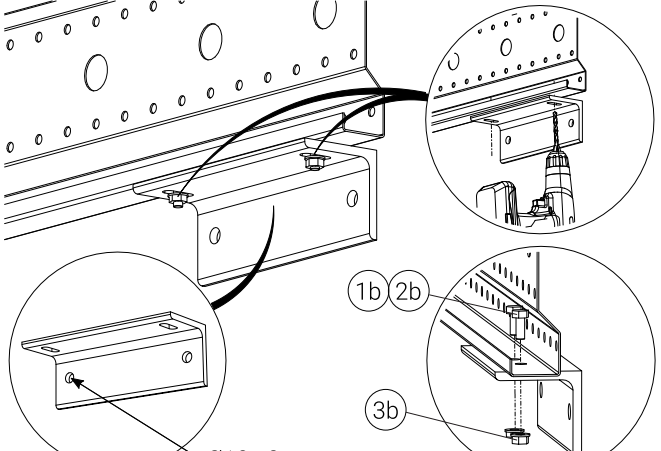
300,350,400,450....-8000 mm

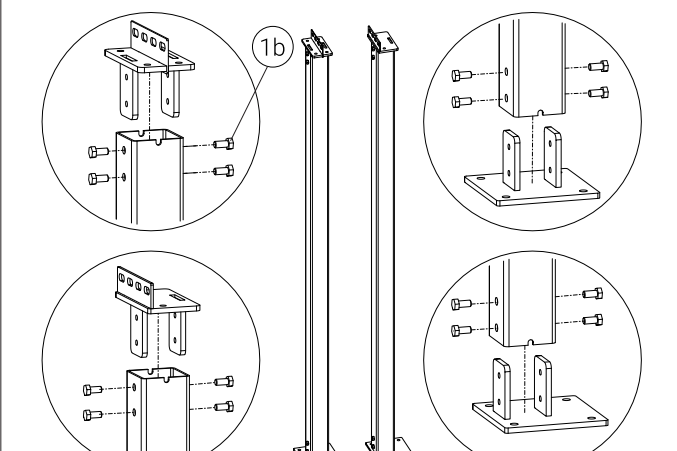
Ø14 x 4

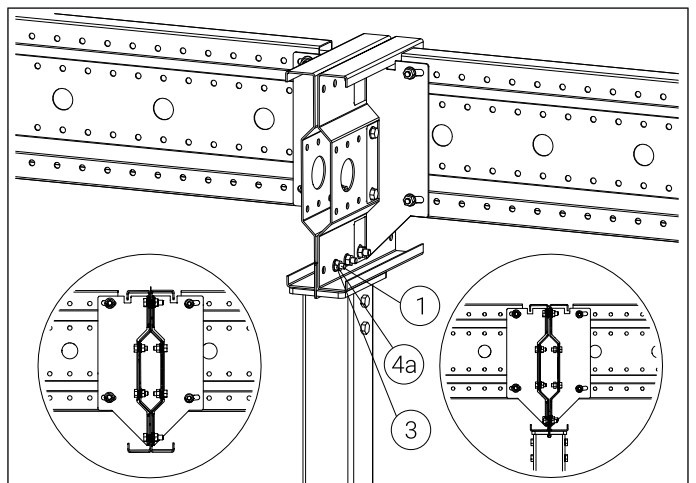
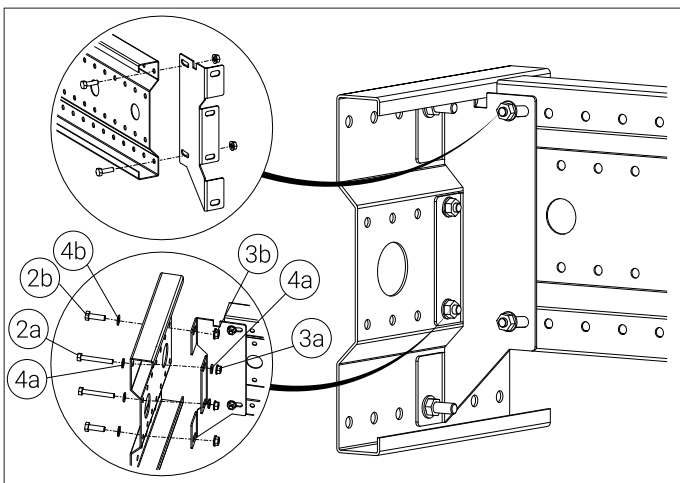
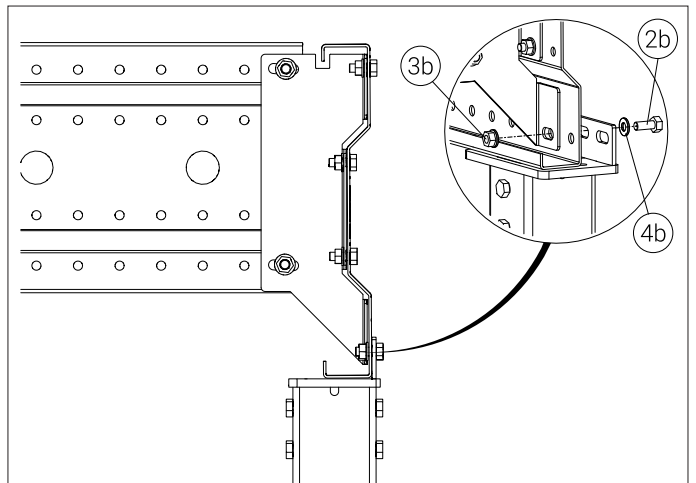
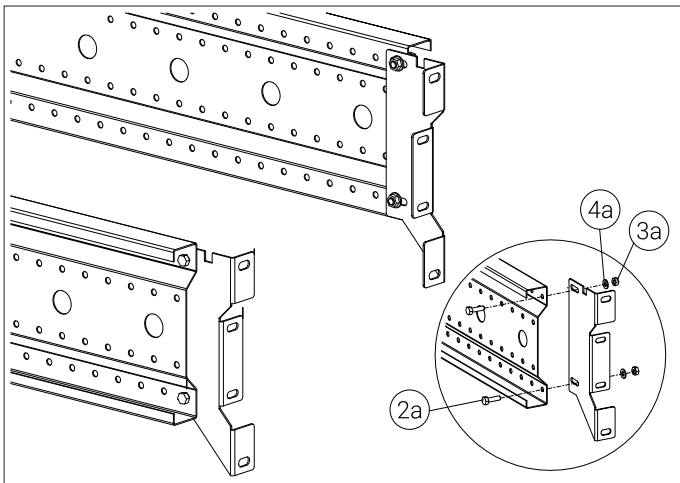
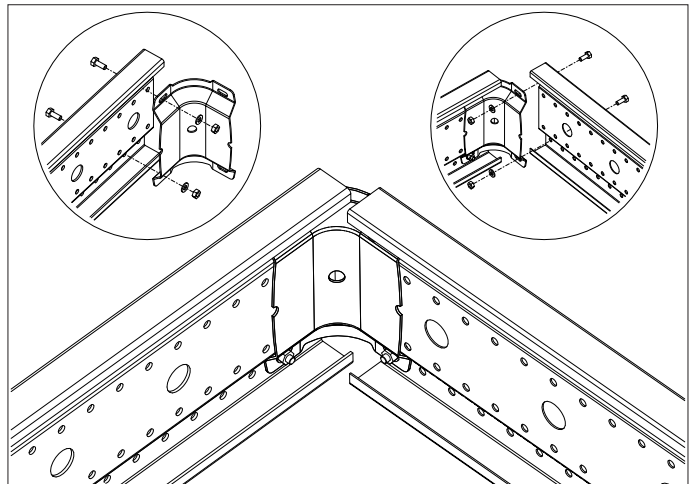
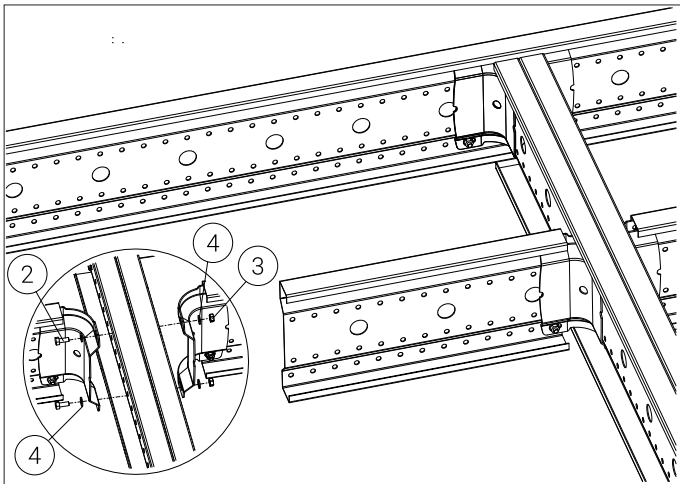
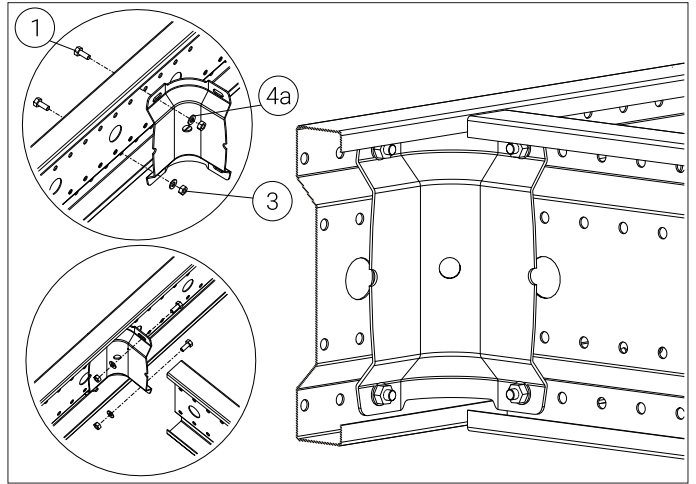
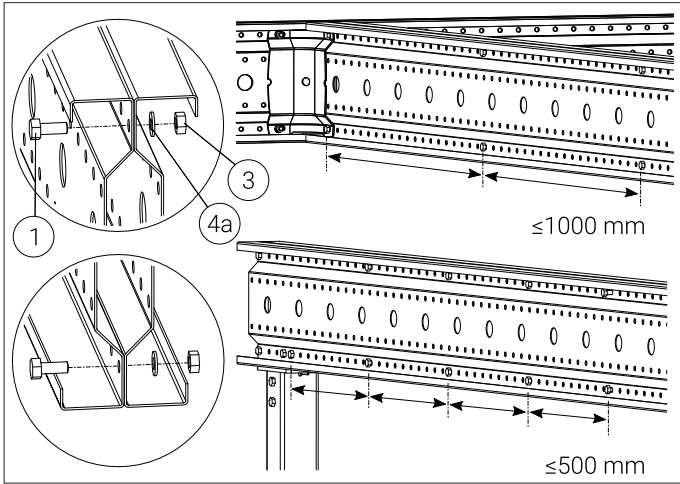


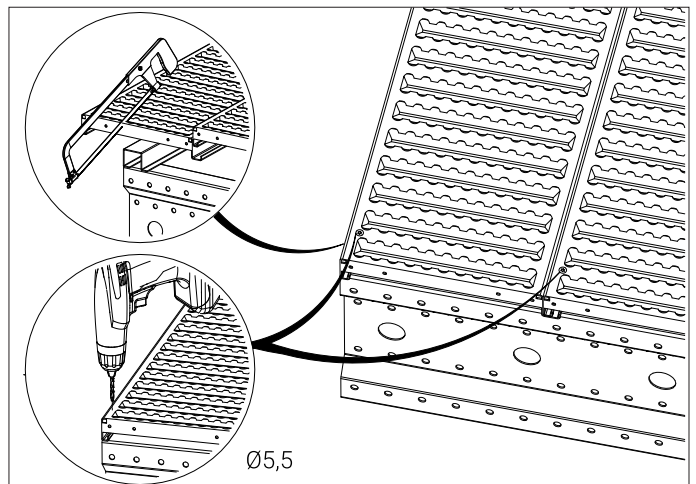
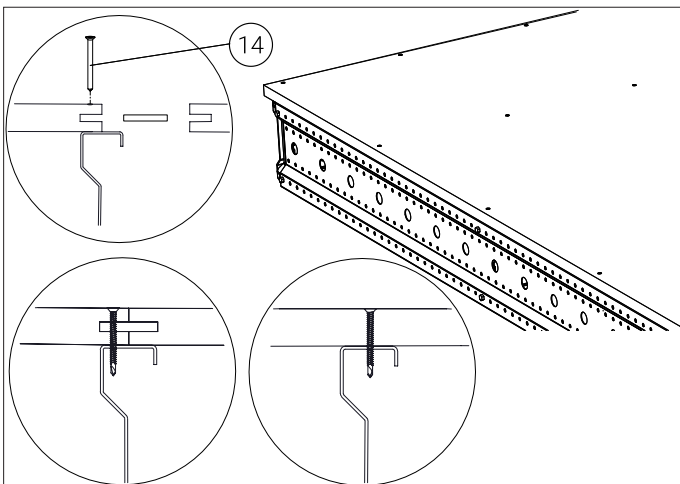
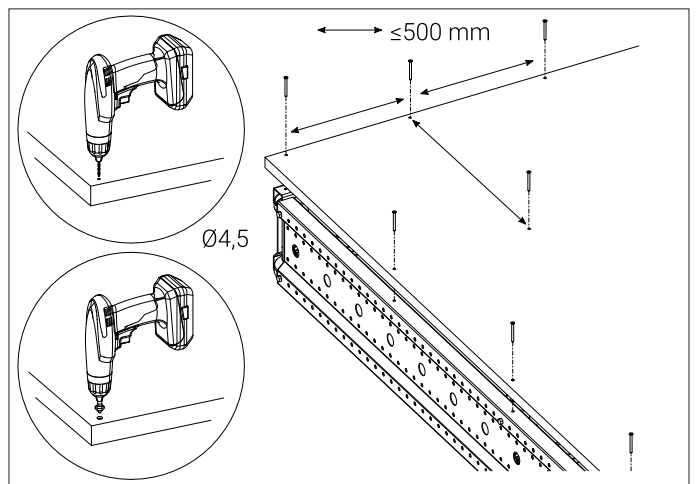
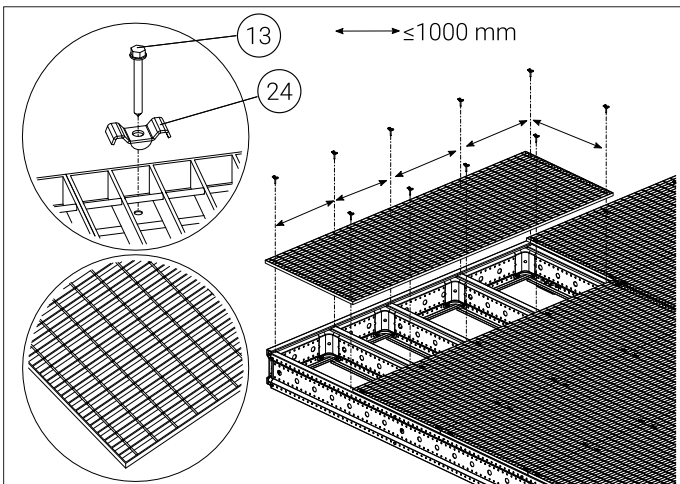
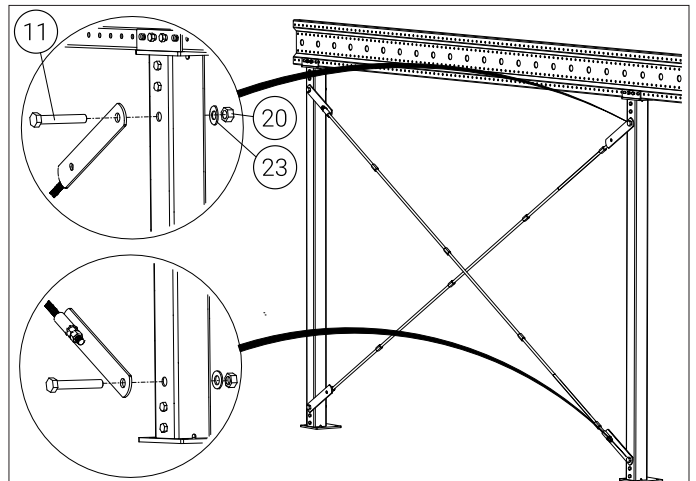
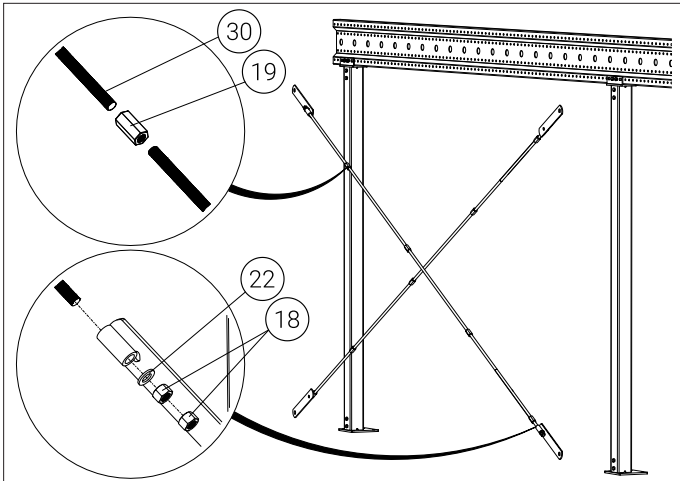
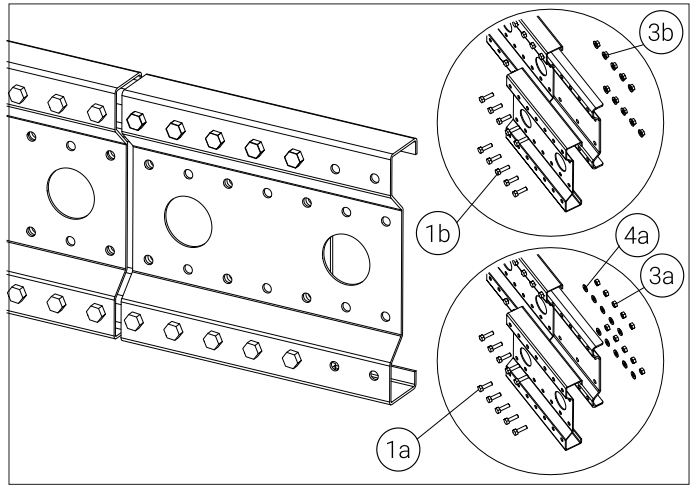
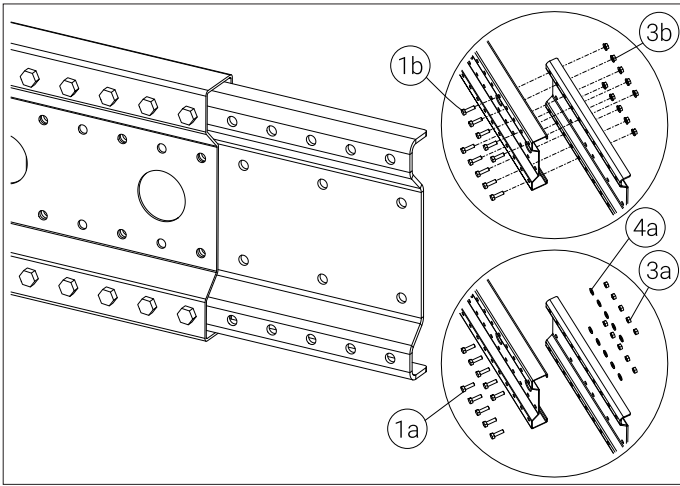
25 mm

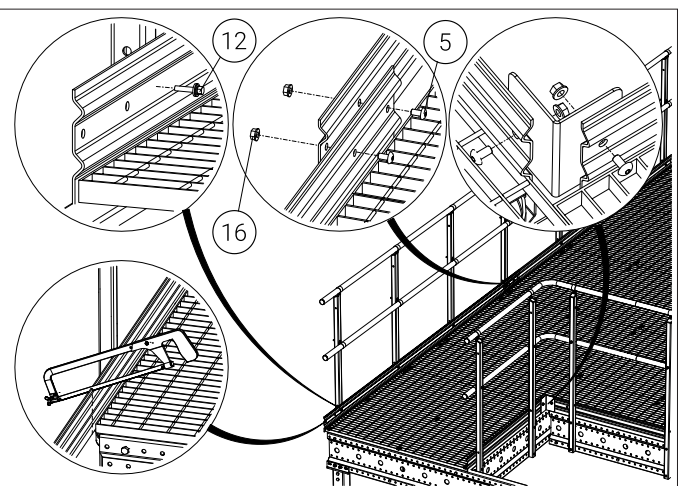
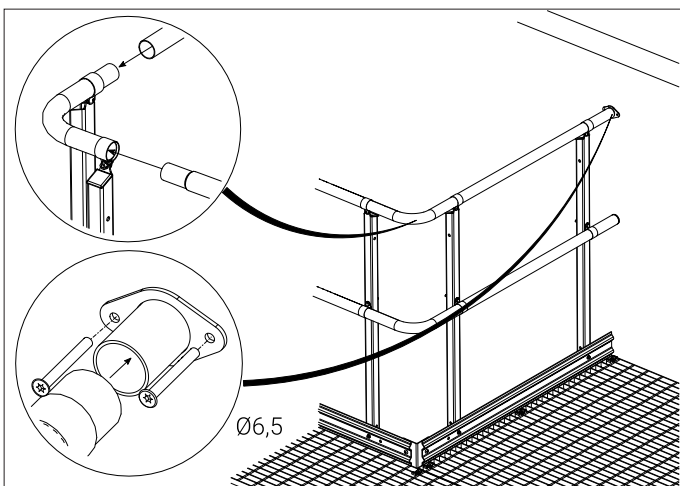
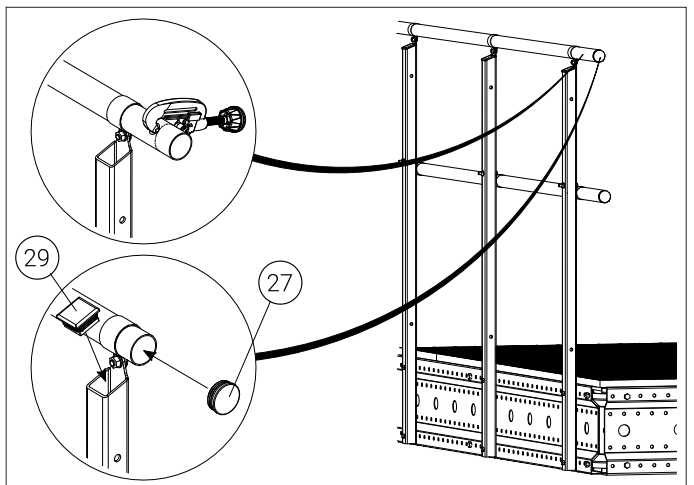
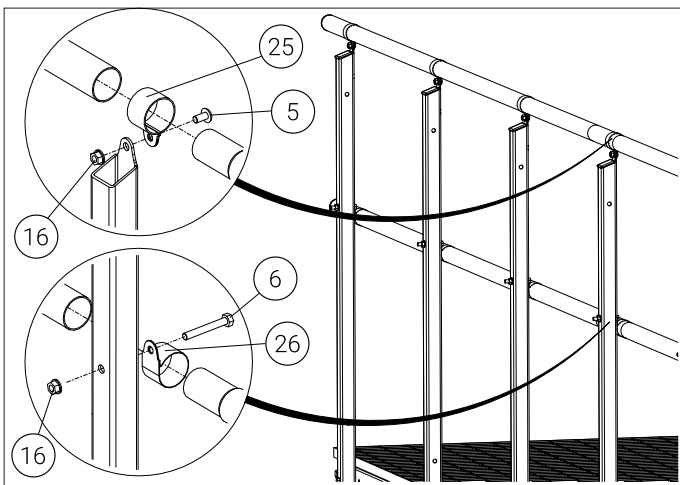
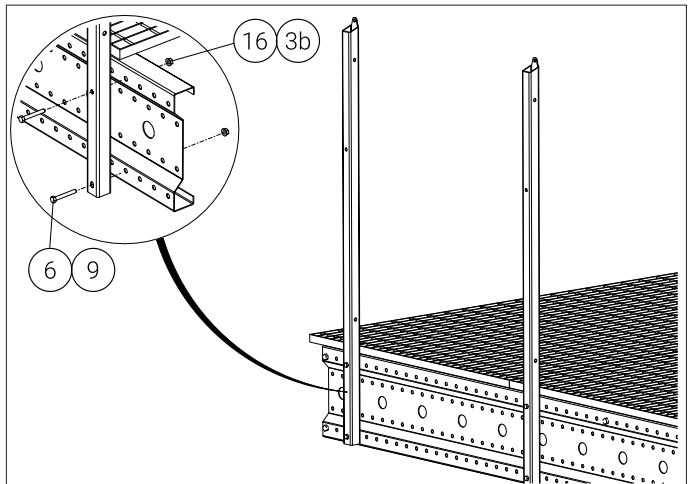
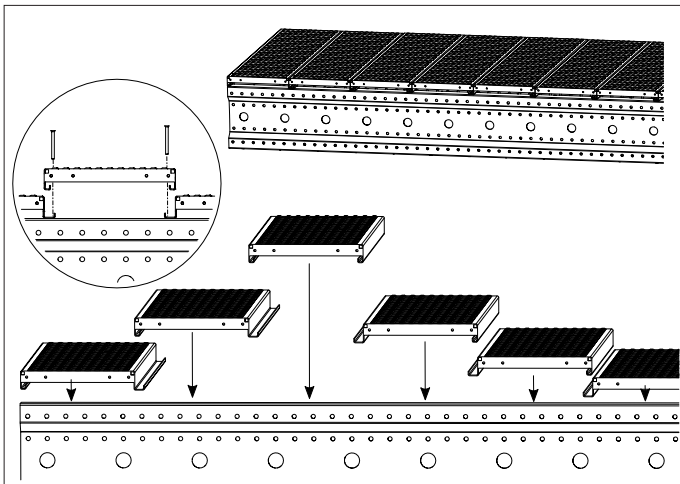
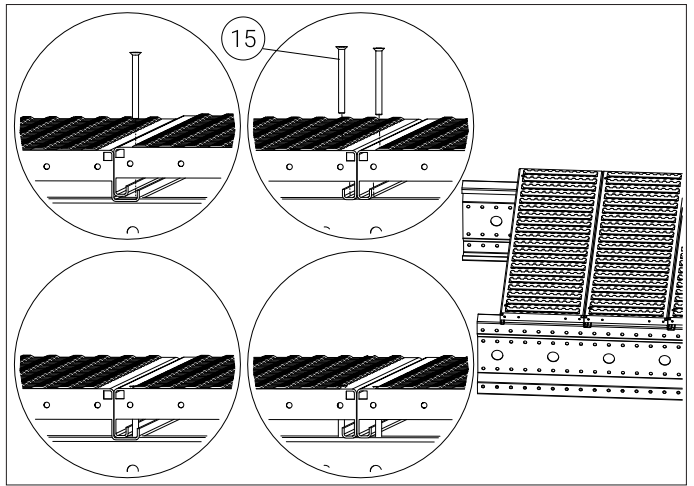
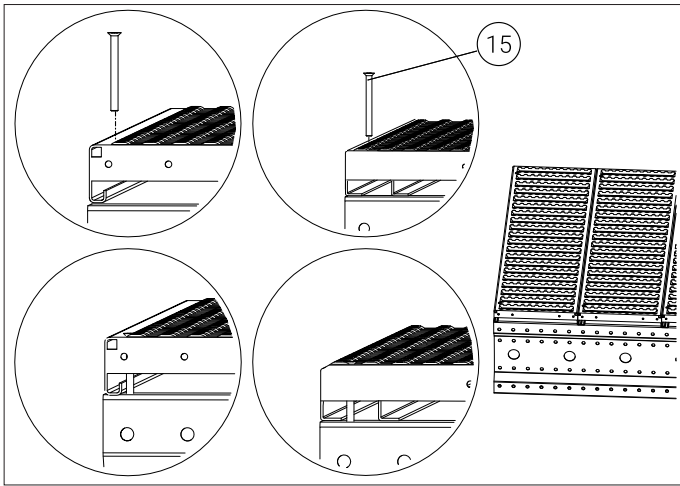


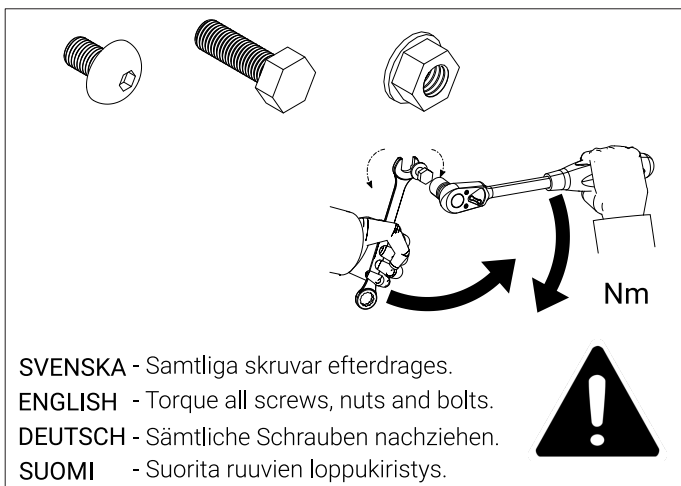
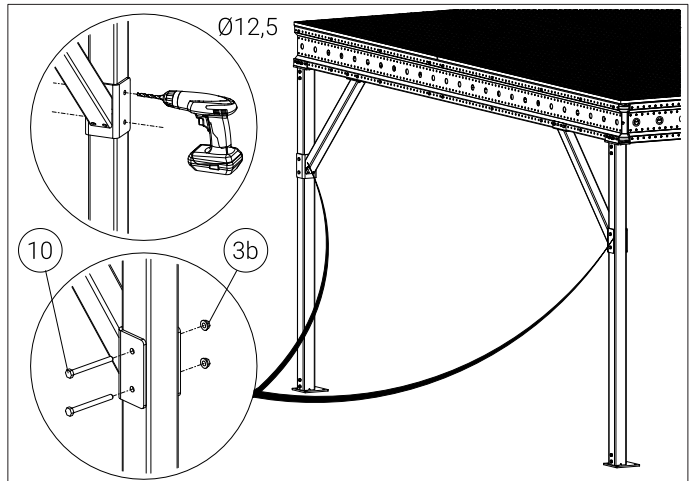
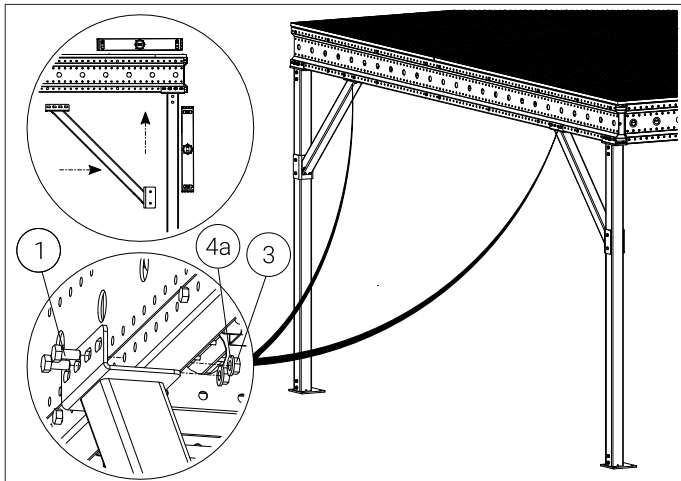
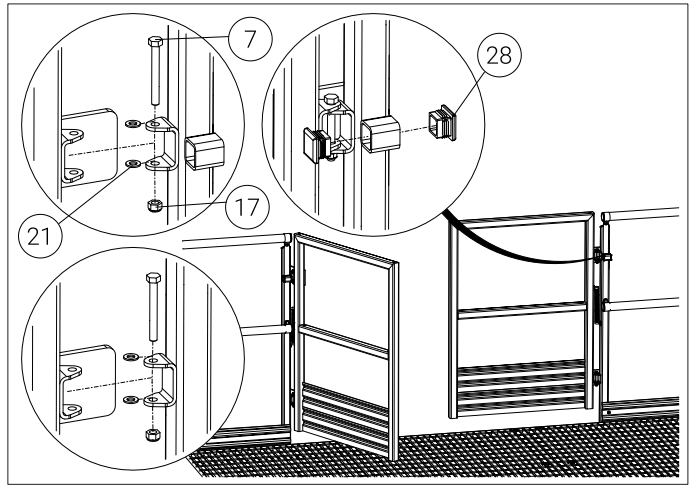
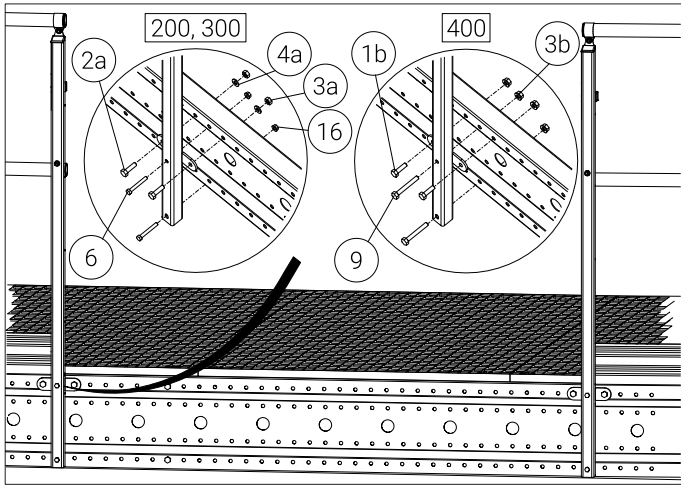
Ø18 x 2











Weland AB
Malmgatan 34
333 30 Smålandsstenar
Sverige

Tel. +46(0)371-344 00
E-post: info@weland.se
weland.se

Weland AS
Svennerudveien 34
2016 Frogner
Norge

Tel. 46 93 91 00
E-mail: weland@weland.no
weland.no

Weland & Sønner A/S
Rugvænget 32
2630 Taastrup
Danmark

Tel. 43 99 75 55
E-mail: weland@weland.dk
weland.dk

Weland GmbH
Spenglerstr. 89-91
23556 Lübeck
Deutschland

Tel. 0451-899 41-0
Fax. 0451-899 41-50
E-mail: info@weland.de
weland.de

Weland Oy
Peltotie 31
28400 Ulvila
Suomi

Puh. 02-6343 900
S-posti: info@weland.fi
weland.fi

WELAND