

INSTALLATION INSTRUCTIONS, CAT LADDER/ PLATFORM

Thank you for choosing products from Weland. Over the next few pages, you will find installation instructions for our ladders, platforms, and accessories. There are several ways to install ladders. One method is described in this brochure. Another is to bolt the ladder to the back and then lift the entire ladder onto the wall and bolt securely in position. Good luck!

Contents.	page
Cat ladder	2
Accessories, cat ladder	3
Back straps	4
Adjustable brackets	5
Anti-climbing device	6
Lockable cover	7
Collapsible ladder	8
Resting platform	9
Reinforcement rails	10
Mounting plates	11
Fold-out resting steps	12
Anti-climb "cage"	13
Collapsible ladder	14-15
Escape platform	16-17
Load table	18-19

Would you like more information?

Weland AS

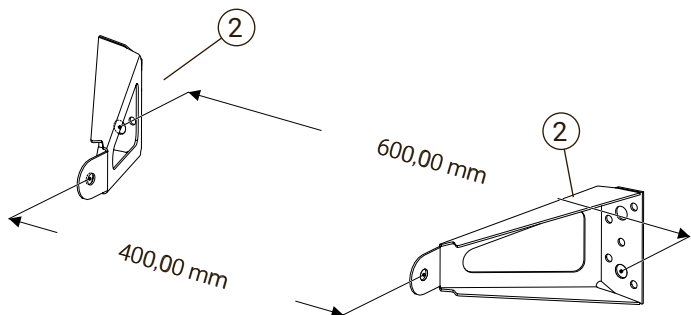
Svennerudveien 34, 2016 Frogner
Switchboard: +47 46 93 91 00
E-mail: weland@weland.no
Web: www.weland.no



Part	Part. no.
1 Cat ladder	ST1540/ST1840/ST2440
2 Bracket kit	KS0150
3 Fishplate bracket	SK2500

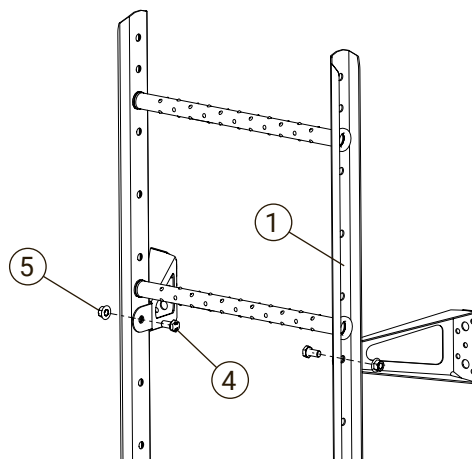
Part	Part. no.
4 Bolt M10x20	BU1201/BU1200
5 Flange nut M10	MU1001/MU1010

Fasteners, Read load table MA1001 for the correct screw connection



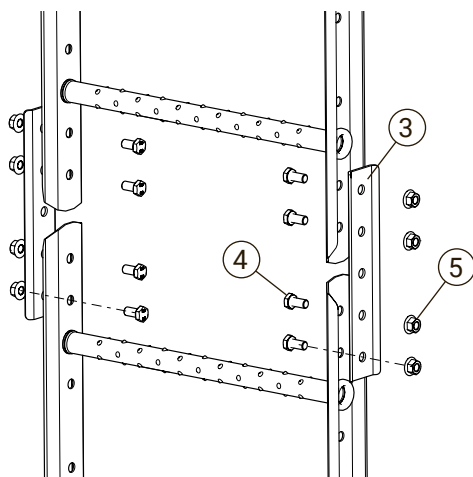
1. Installation of brackets

Install the top pair of brackets (2) using suitable bolting material. See MA1001 Loading table for more info.



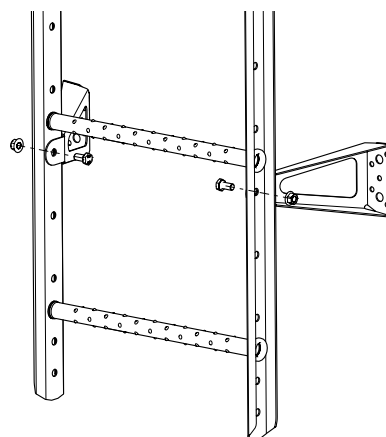
2. Fitting to the top bracket pair

Fit the ladder in the top bracket pair using 2 bolts (4) + nuts (5) and make sure the top rung is at least 30 mm above the roof edge.



3. Joining ladders

Join the ladders with splice fittings (3) and 4 bolts (4) + nuts (5).

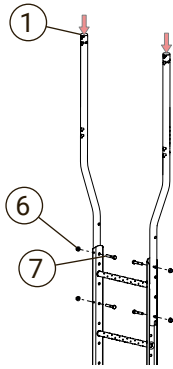


4. Final assembly

Fit the remaining brackets (2) with max distance of c / c 2500 mm.

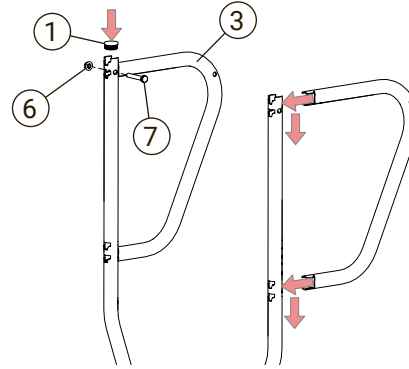
Part	Part no.
1 Plastic cover	PL0034
2 Handrail	HL1200
3 Wrist arch	HL1240
4 Handrail brace	HL1290
5 Bolt M10x20	BU1201/BU1200
6 Nut M10	MU1001/MU1010

Part	Part no.
7 Bolt M10x60	BU1060
8 Standing platform	SP3040
9 Hinge	GJ3400
10 Gate hoop	HL5843
11 Self-drilling screw 5.5x22	SS5221/SS5225
12 Gate fittings	BX0004



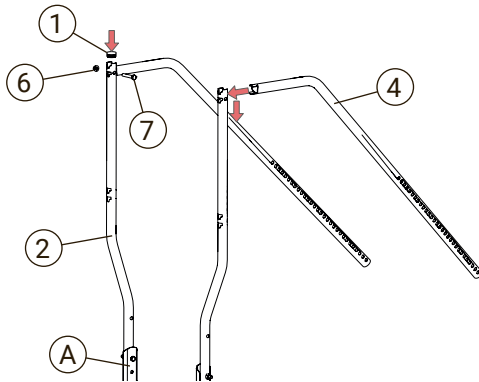
1 Installation of handrails

To be installed on the outside of the ladder using 2 bolts + nut (7,6) per handrail. Insert the plastic cover (1) on each handrail.



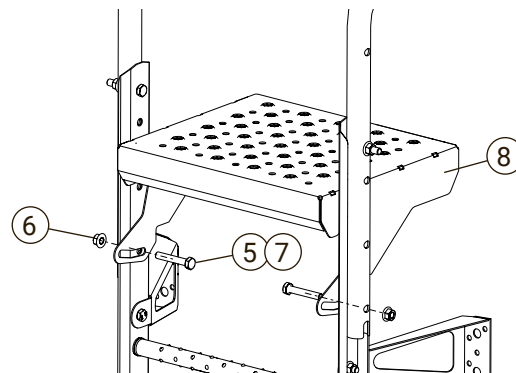
2 Installation of wrist arch

Tap the handrail arches (3) down into the handrail and lock using 2 bolts (7) + nut (6) per handrail. Insert the plastic cover (1) on each handrail.



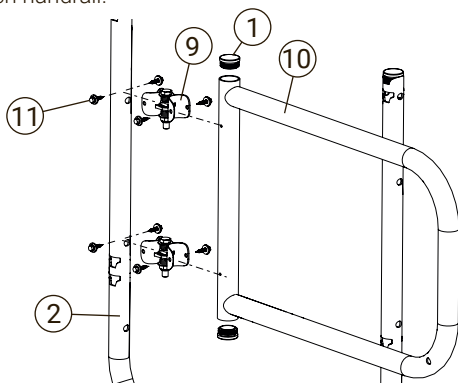
3 Installation of handrail braces

Tap the handrail brace (4) down into the handrail (2) and lock with 2 bolts (7) nut (7,6) per handrail. The lower end is to be installed in the roof ladders (A). Insert the plastic cover (1) on each handrail.



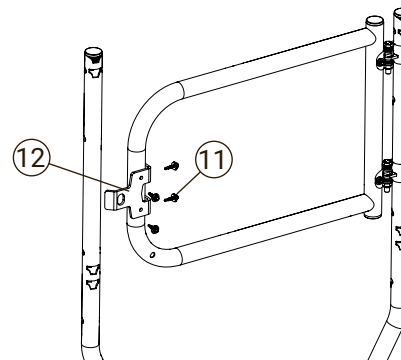
4 Installation of step plate

The step plate (8) is to be hooked on the top rung and bolted to the side of the steps (7,6 or 5,6).



5 Installation of hinges

Fit the hinges (9) to the gate frame (10) using 2 self-tapping screws (11) per hinge in the pre-drilled holes. Then install handrails (2) using 2 self-tapping screws (11) per bracket. Insert 2 plastic covers (1).

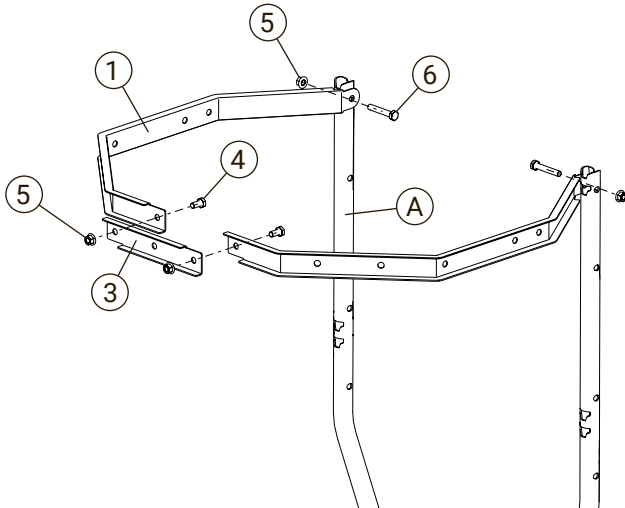


6 Installation of fittings on gate hoop

The fitting is installed using 4 self-tapping screws (these ensure that the gate hoop stays in the handrail).

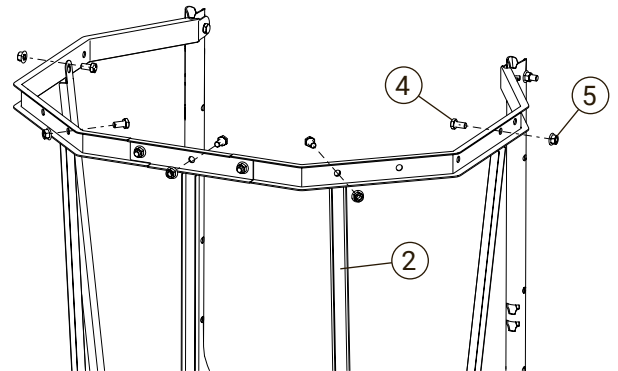
Part	Part no.
1 Safety cage hoop	SK0650
2 Safety cage kit	SK9005
3 Spreader	SK0200

Part	Part no.
4 Bolt M10x20	BU1201/BU1200
5 Flange nut M10	MU1001/MU1010
6 Bolt M10x60	BU1601



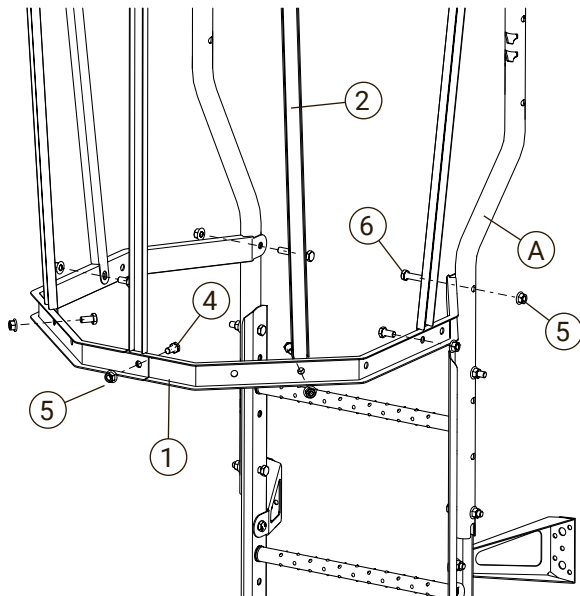
1. Safety cage spreader

Fit the safety cage hoop (1) on the inside of the handrail (A) using bolt (6) + nut (5). Fit spreader fitting (3) using 2 bolts (4) + nuts (5).



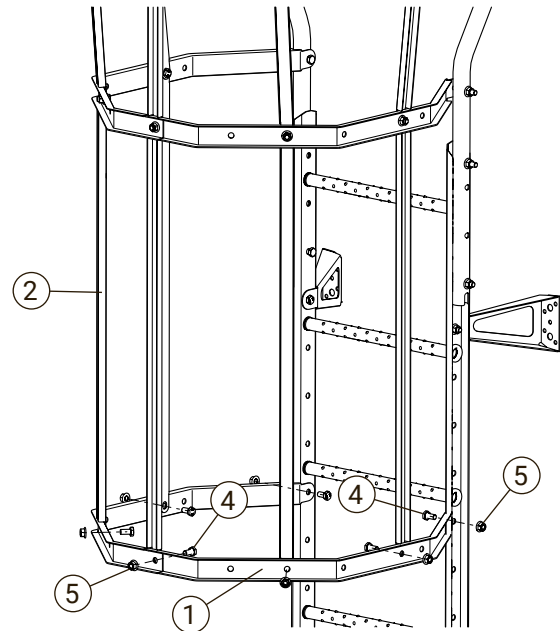
2. Safety cage kit

Fit the rod (2) using 1 bolt (4) + nut (5) per rod.



3. Safety cage hoop

Fit the next safety cage hoop (1) on the handrail (A) using 2 bolts (6) + nuts (5) and 1 safety cage kit (2) using 5 bolts (4) + nuts (5).



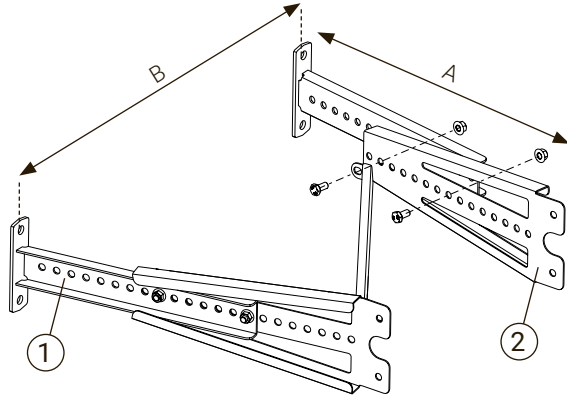
4. Multiple sections

Continue to fit safety cage hoops (1) using 2 bolts (4) + nuts (5) per section and safety cage kit (2) using 5 bolts (4) + nuts (5) per section to the desired length.

Part	Part. no.
1 Adjustable bracket, wall mounting	KS0700/KS1000
2 Adjustable bracket	KS4010
3 Adjustable bracket, diagonal brace	SS4010

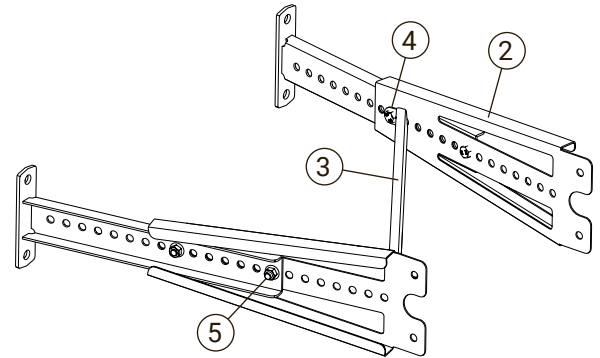
Part	Part. no.
4 Bolt M10x20	BU1201/BU1200
5 Flange nut M10	MU1001/MU1010

For information about pull out loads see MA1001



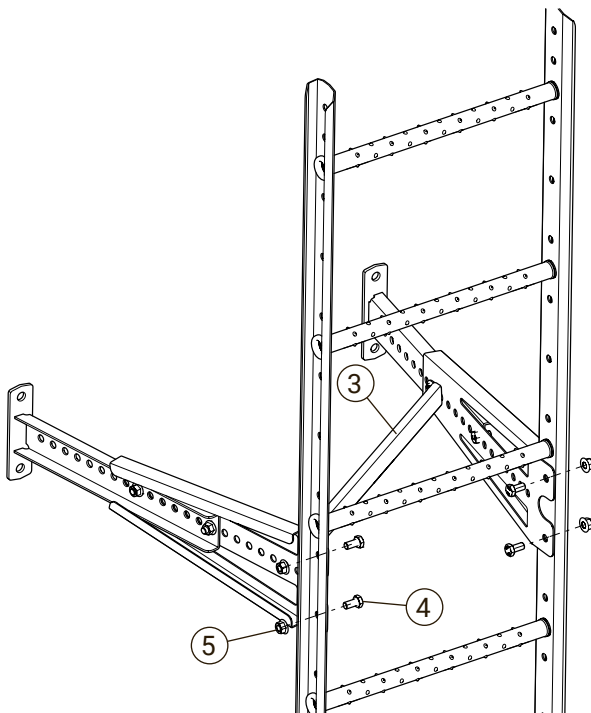
1. Installation of top wall brackets

First fit the uppermost wall brackets (1). Determine the appropriate length (A) of the bracket (2) and measure the distance between the attachment holes (B).



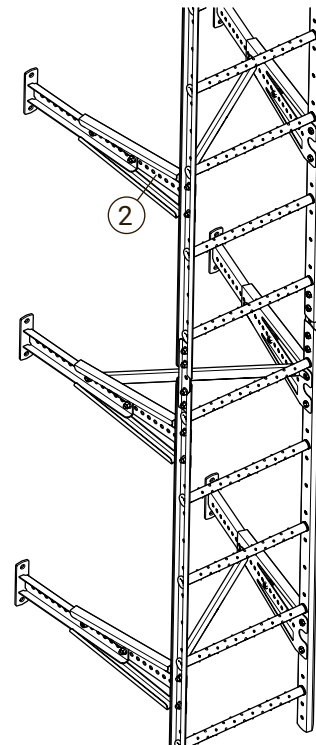
2. Installation of diagonal braces

The diagonal brace is mounted in the same hole as the ladder side and to the next innermost hole on the bracket using 4 M10x20 bolts (4) + nuts(5).



3. Installation of brackets

Fit the other brackets on the ladders using 4 bolts (4) + nuts (5). Max. distance between brackets: 2500cm. Diagonal braces (3) are to be mounted crosswise.

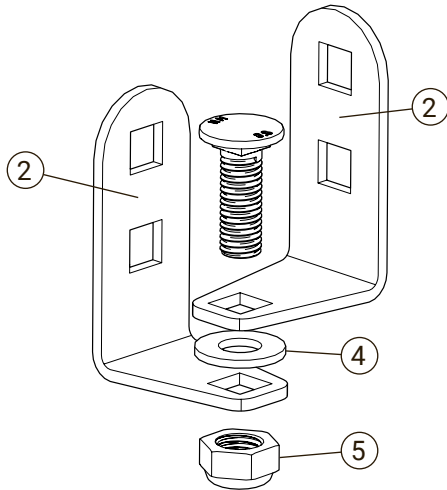


4. Installation of ladder

Lift up the ladders and mount in the top brackets. Then bolt the wall brackets on to the façade using suitable bolting material.

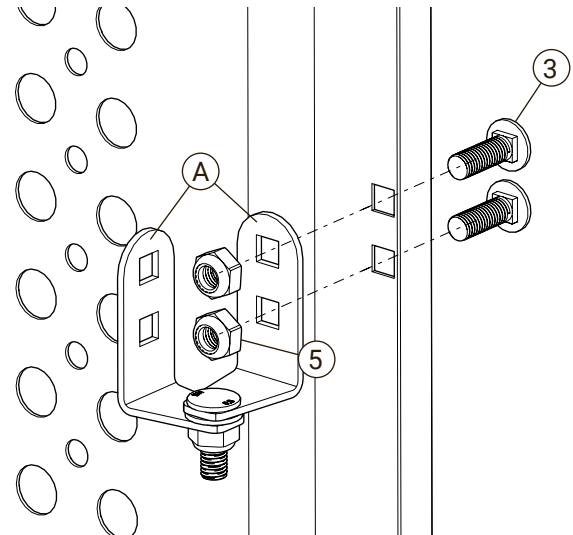
Part	Part. no.
1 Anti-climbing device, Door	KH2100
2 Angle bracket	FV3035
3 Carriage bolt M10x30	VB1301/VB1305

Part	Part. no.
4 Washer M10	BR1000
5 Locking nut M10	LM1000



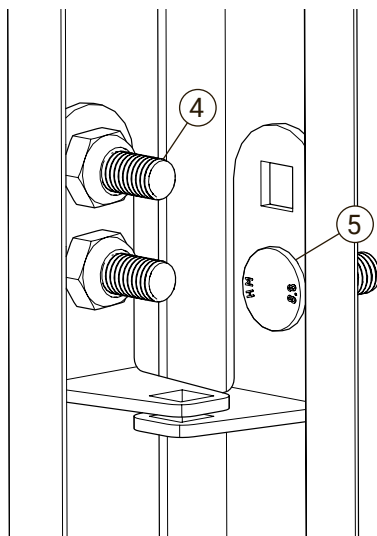
Hinge

Start by assembling 2 mounting angles (2) and a trolley bolt (3) + washer (4) + nut (5).



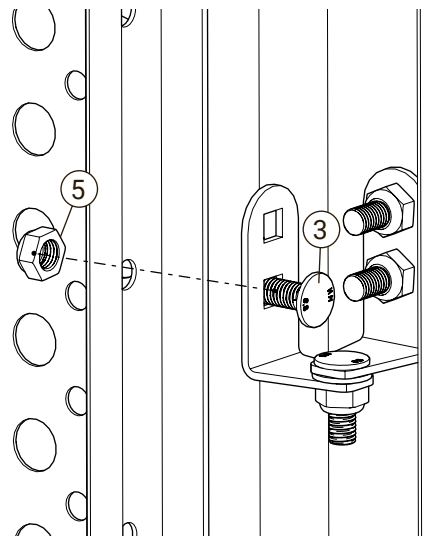
Hinge on the door

Fit the hinge (A) using 2 trolley bolts (3) + nut (5).
Door (1) can be turned for R & L variants.



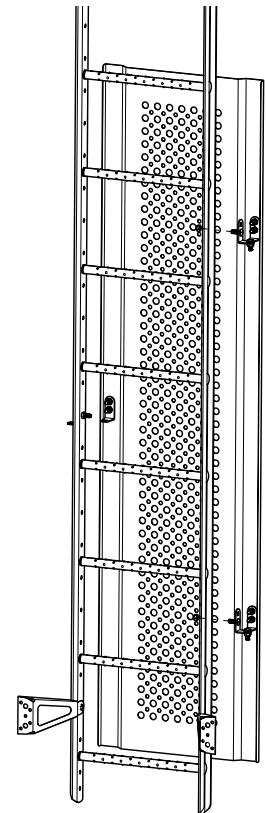
Padlock holder

Supplement the door with a padlock holder.
2 angles with 3 trolley bolts (3) + nut (5).

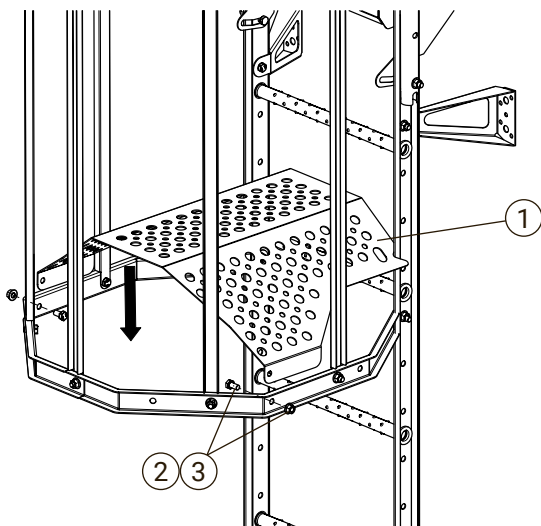


Final assembly

Then fit the anti-climbing device on the side of the ladder using 1 trolley bolt (3) + nut (5) per hinge.

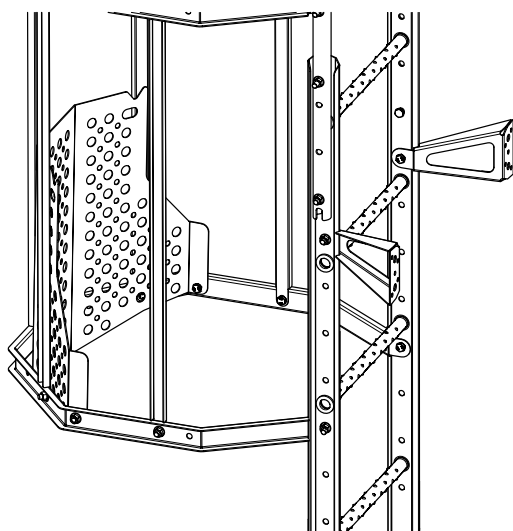


	Part	Part. no.
1	Lockable hatch	LL4570
2	Bolt M10x20	BU1201/BU1200
3	Locking nut M10	LM1000

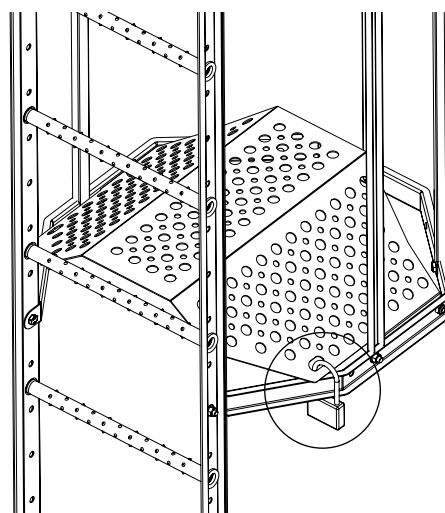


1. Lockable hatch

Fit the cover to the safety cage (1) using bolt (2) and lock nut (3).



Open cover

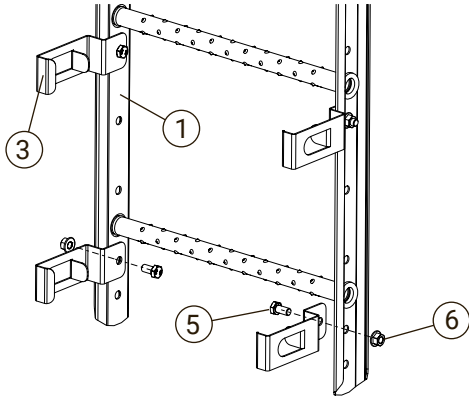


Closed cover

The cover can be equipped with a padlock.

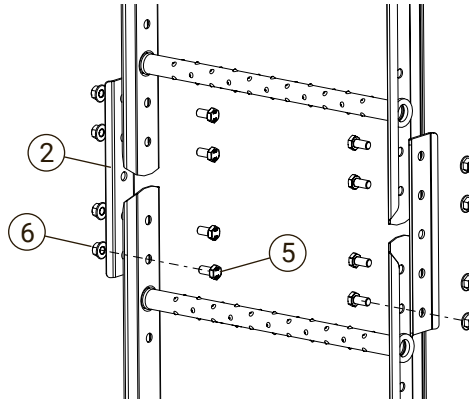
Part	Part. no.
1 Cat ladder	ST1540/ST1840/ST2440
2 Joint plate, ladder	SK2500
3 Slide fitting	FB7000
4 Lock catch	FB7001
5 Bolt M10x20	BU1020/BU1200
6 Flange nut M10	MU1001/MU1010

Part	Part. no.
7 Rubber stop	FB7002
8 Washer 10.5x36x2	XBR3610
9 Bolt M10x40	BU1040
10 U-fitting M8x50	XBY0850
11 Flange nut M8	MU0801/MU0805



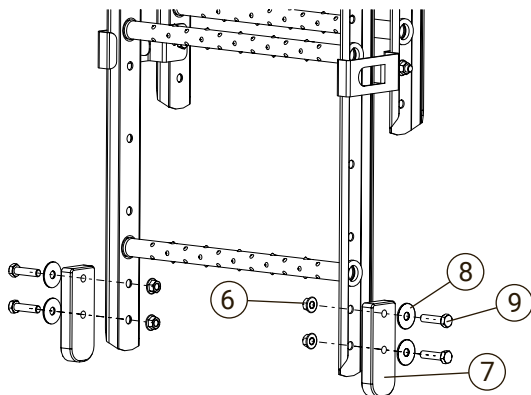
1. Installation of ladder fittings

Mount the ladder fittings (2) on the fixed ladder. (1)
At the bottom, fit 2 step fittings (2) of c / c 300mm.
Use 1 bolt + nut (5,6)/step fitting.



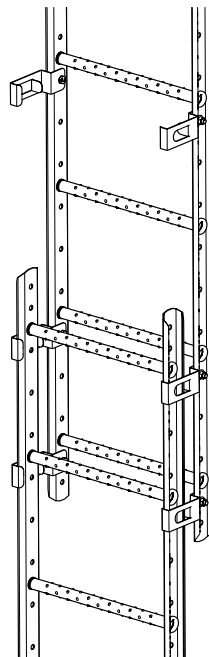
2. Joining ladders

Join the ladders using splice fittings (2) and 4 bolts + nuts (5,6)/side.



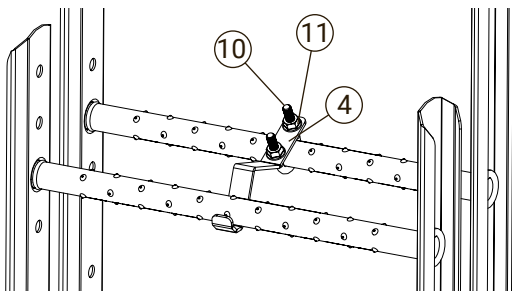
3. Installation of rubber stops

Fit the rubber stops (7) using 2 M10x40 + large washer + nut (9,8,6) in the bottom end of the loose ladder and push in. For jointed ladders, it is important that it is straight.



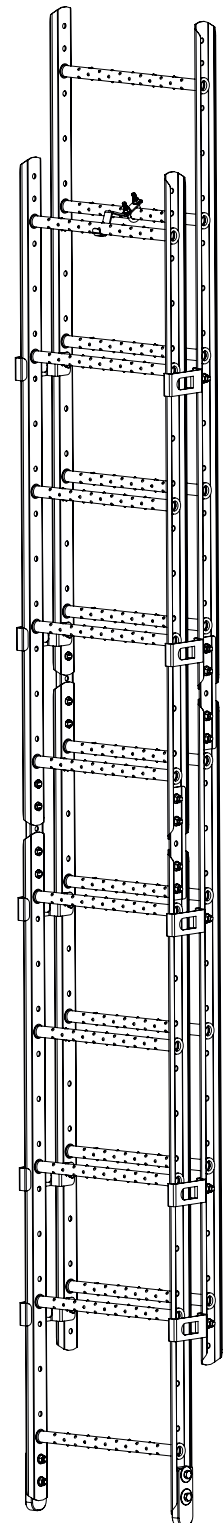
4. Check the overlap

In the dropped position, the ladders must overlap each other.



5. Installation of step holders

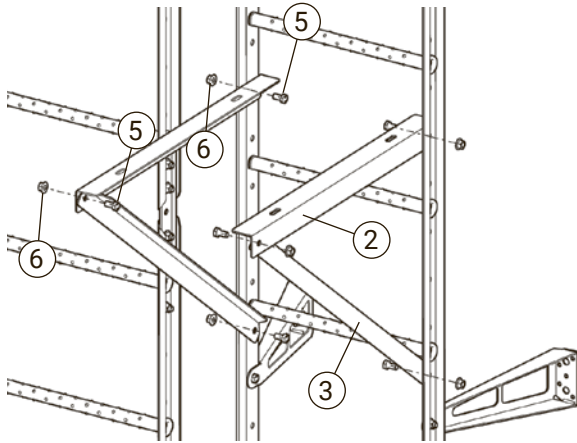
Fit step holders (4) using the U-fitting + nut (10, 11) and hook the ladder into place..



Part	Part no.
1 Grating	VP6060-00
2 Diagonal rod 2	VP6060-01
3 Nail puller	VP6060-02
4 J-hook M8x48	JK8481
5 Bolt M10x20	BU1201/BU1200

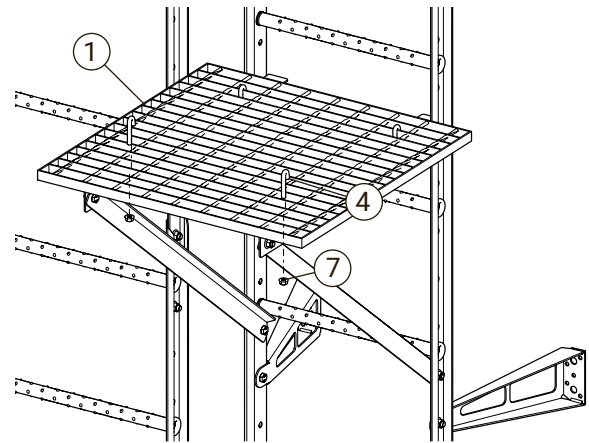
Part	Part no.
6 Flange nut M10	MU1001/MU1010
7 Flange nut M8	MU0801/MU0805
8 Safety cage overhang	SK0600
9 Safety cage hoop	SK0650
10 Safety cage hoop	SK9001

Start assembling treads and safety cages from the top to ensure the assembly will fit all the way.
The total length of the ladders can be adjusted in the overlap.



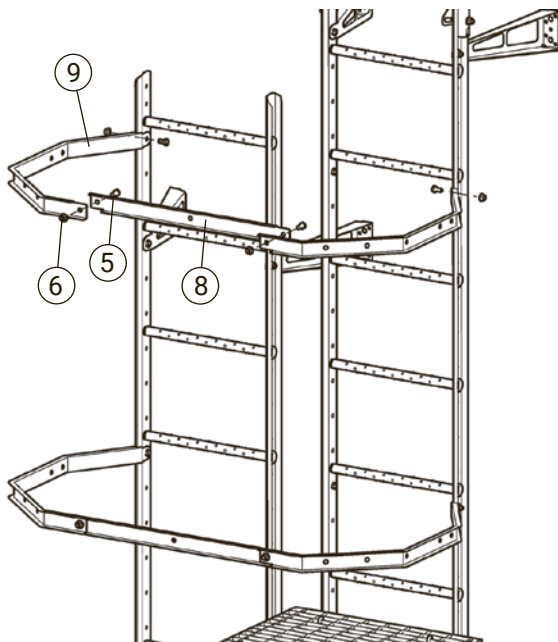
1. Installation of brackets

Screw the diagonal rods and nail pullers (2,3) together using 2 bolts + nuts (5,6). Fit the brackets on the ladders using 4 bolts + nuts. (5,6). The ladders must overlap one another by approx. 2.1 m.



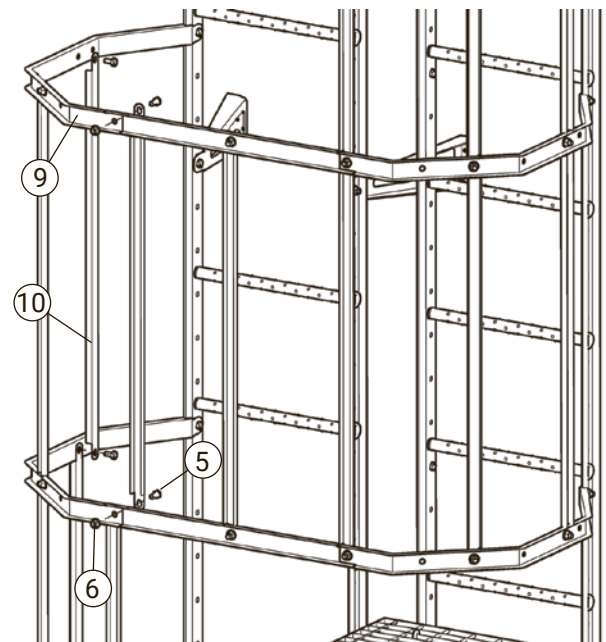
2. Installation of grating

Fasten the grating to the brackets using 4 J-hooks + nuts (4,7).



3. Fitting hoops

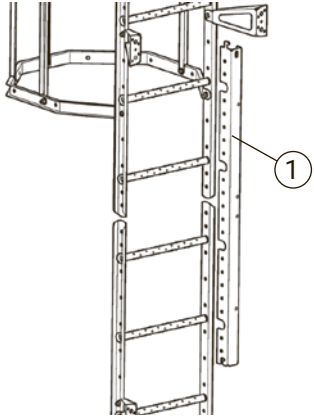
Fit the hoop together with overhang (9,8) on the ladders. Use 4 bolts + nuts (5,6).



4. Installation of followers

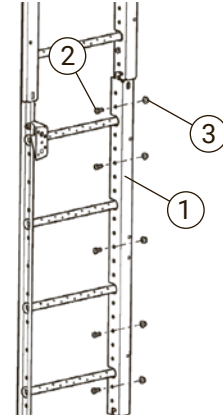
Fit the followers (10) between the hoops (9) and to the connecting safety cages using bolt + nut (5,6).

Part	Part no.
1 Stiffening rail	ST1200
2 Bolt M10x20	BU1201/BU1200
3 Flange nut M10	MU1001/MU1010



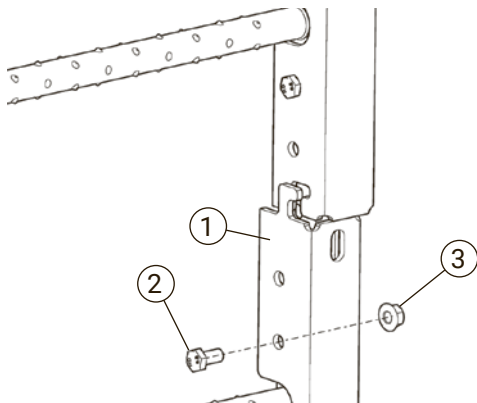
1. Installation of stiffening rail

Fit the stiffening rail (1) on the outside of the ladder. Make sure there is room above for any bracket above. The stiffening rail is to be placed on top of the safety cage hoops.



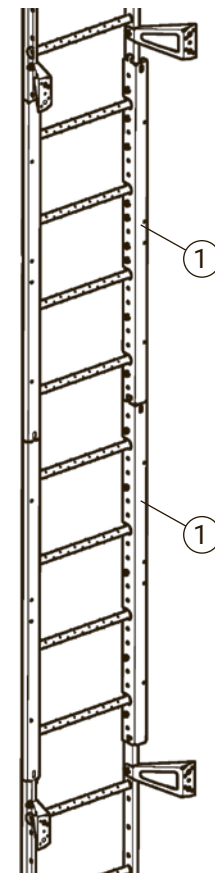
2. Attachment of stiffening rail

Screw the stiffening rail (1) on using 5 bolts + nut (2,3) per rail.



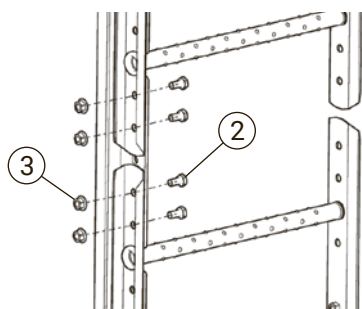
3. Joining

The next stiffening rail (1) is to be tapped into place using a club or suchlike. and mounted with 5 bolts + nut (2,3).



5. Additional reinforcement

Fit as many stiffening rails (1) as required, fitted on both sides of the ladder. Cut the bottom stiffening rail if necessary. Max. distance between attachment points: 5.7 m.



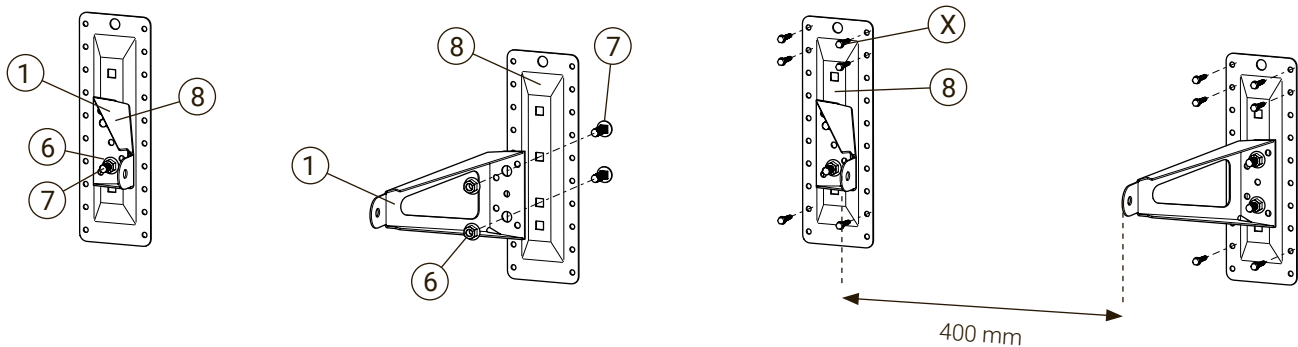
4. Attachment when joining

Ladder joints are to be screwed in to position using 4 nuts+bolts (2,3) per joint.

Part	Part no.
1 Brackets	KS0150/KS0300
2 Adjustable bracket, wall attachment	KS0700/KS1000
3 Adjustable bracket	KS4010
4 Adjustable bracket, diagonal brace	SS4010

Part	Part no.
5 Bolt M10x20	BU1201/BU1200
6 Flange nut M10	MU1001/MU1010
7 Carriage bolt M10x30	VB1301/VB1305
8 Base plate	FP0300

Attaching a fixed bracket



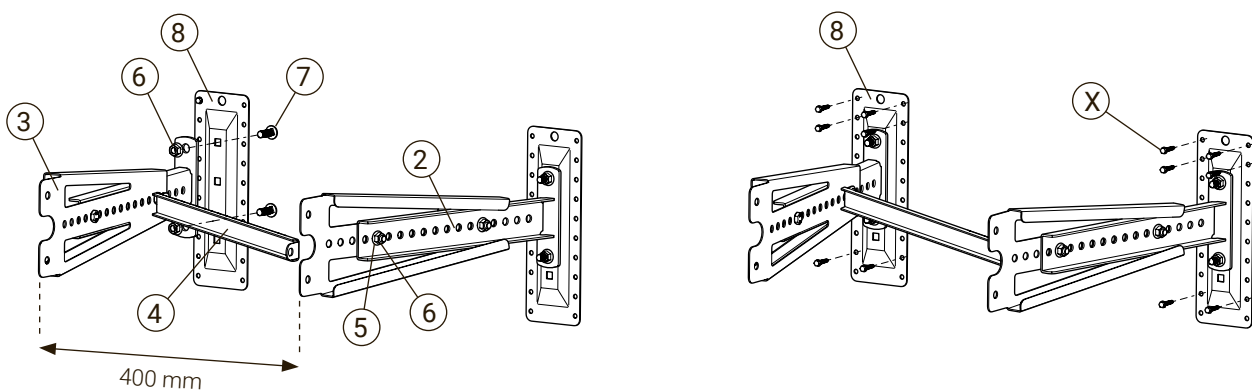
1. Attaching a fixed bracket

Fit the brackets (1) to the attachment plates (8) using two locking bolts + nuts (7,6)

2. Installation to wall

Secure the attachment plates (8) to the wall using at least six screws (X), at least four of which must be in the upper section. The screws are dimensioned based on MA1001

Installation of adjustable bracket



1. Installation of adjustable bracket

Fit the brackets (2,3) to each other using two bolts and nuts (5,6).
Fit the adjustable brackets (1) to the attachment plates (8) using two locking bolts + nuts (7,6)

2. Installation to wall

Secure the attachment plates (8) to the wall using at least six screws (X). At least 4 in the top section.
The screws are dimensioned based on MA1001

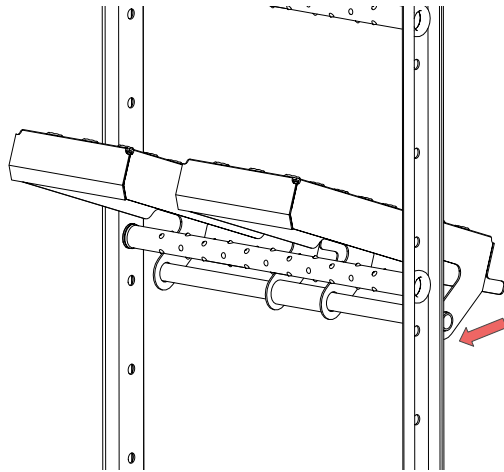
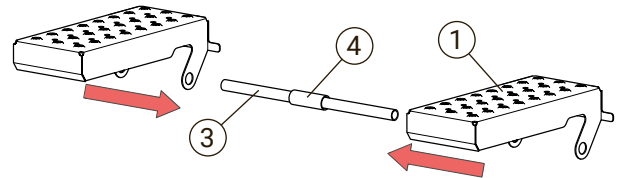
Part	Part no.
1 Step Plate Single	SP3716-00
2 Step Plate Double	SP3740
3 Support tube	KST0400-01
4 Tube sleeve	SP3716-01

Part	Part no.
5 Bolt M10x20	BU1020
6 Nut M10	MU1001/MU1010
7 Locking nut M10	LM1000
8 Threaded rod M10	RB1050-00

Installation of double step plates

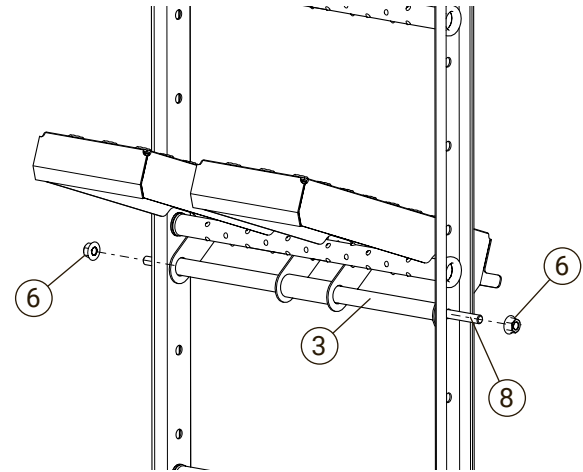
1. Install the step plate

Thread the spacer (4) on the support tube (3). Fit the step plates (1) on the support tube.



2. Place the step plate

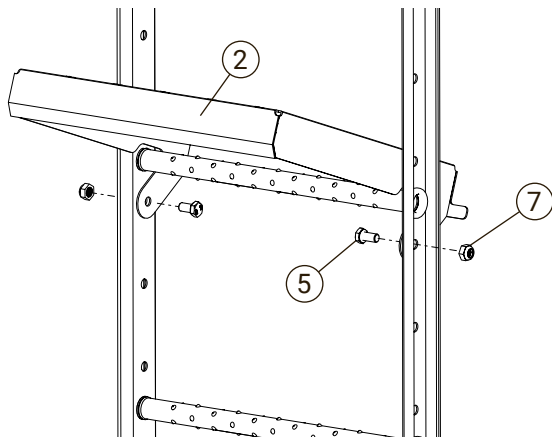
Hang the parts from the rear of the ladder.



3. Attach the step plate

The support tube (3) bolts to the ladder using through threaded rod (8), fastens with 2 nuts (6).

Installation of single step plate



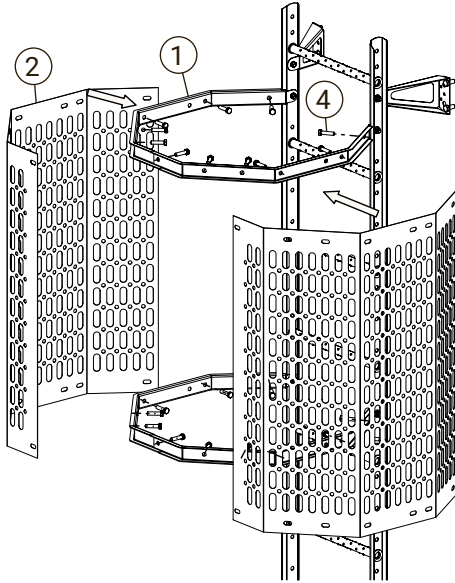
2. Installation of single step plate

Assemble the step plate (2) on the ladder using 2 bolts + locking nuts (5, 7).

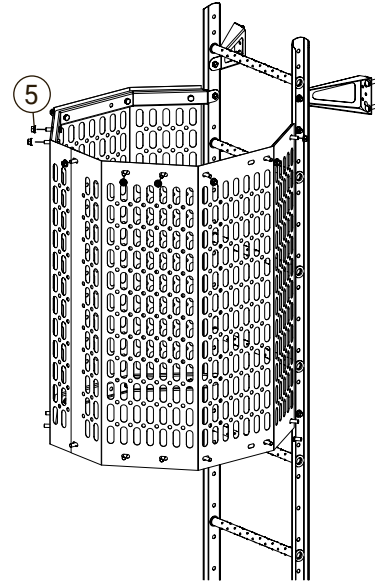
Part	Part. no.
1 Safety cage hoop	SK0650
2 Anti-climbing device	KH0965
3 Bolt M10x20	BU1201/BU1200

Part	Part. no.
4 Bolt M10x40	BU1040
5 Flange nut M10	MU1001/MU1010

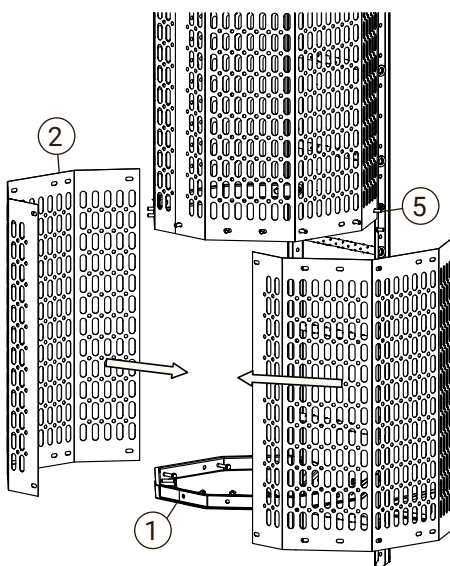
Fit safety cage hoops to ladder using M10x20 and M10 nuts.



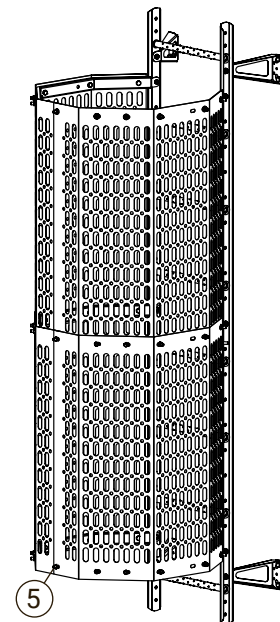
1. Fit the anti-climbing device on top of the safety cage hoops using M10x40(4).



2. Fit M10 nuts (5) only on the upper row.



3. Fit the next row with safety cage hoops and anti-climb devices. Fit M10 nuts (5) only on the upper row.

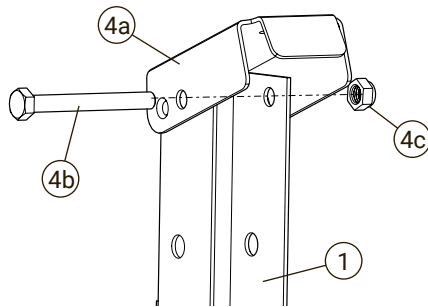


4. Fit M10 nuts (5) on the last row.

	Part	Part. no.
1	Folding ladder	FS1250/FS2450
2	Joint set (Contains 2a to 2f)	FS2000
3	Wall bracket, folding ladder	FS0012
4	Lock cover set (Contains 4a to 4d)	FS1000
5	Bolt M10x60	BU1601
6	Flange nut M10	MU1001/MU1010
7	Bolt M8x70	BU0870
8	Red plastic-coated wire	FB0010
9	Spacer washer 35x40x5	MB3545

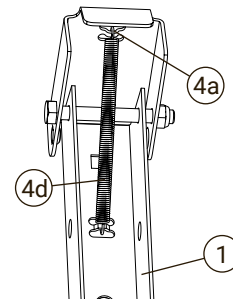
	Part	Part. no.
2a	Joint profile, folding ladder	FB0080
2b	Carriage bolt M8x20	XBV0820
2c	Locking nut M8	LM0800
2d	Tread surface, folding ladder	FS0500
2e	Bolt M8x55	BU0855

4a	Cover, folding ladder	FS0050
4b	Bolt M8x70	BU0870
4c	Locking nut M8	LM0800
4d	Spring for cover	FOLDING LADDER SPRING



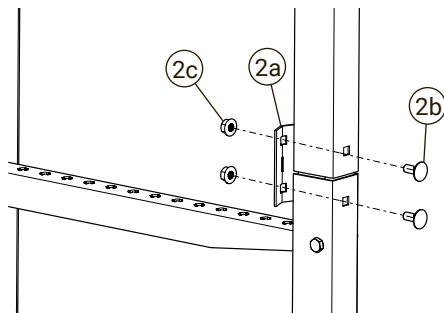
1 Installation of lock cover

Install the cover (4a) at the top of the ladder (1) using 1 M8x70 + locking nut (4b, 4c).



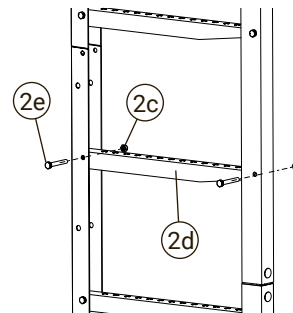
2 Installation of spring

Install the spring (4d) in the front edge of the cover (4a) and to the ladder (1).



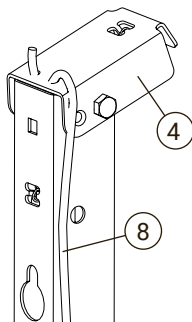
3 Joining ladders

In the case of more than one module, the ladders are joined together using 2 joint sets (2). Joint profile with 2 coach bolts + nuts (2a, 2b, 2c).



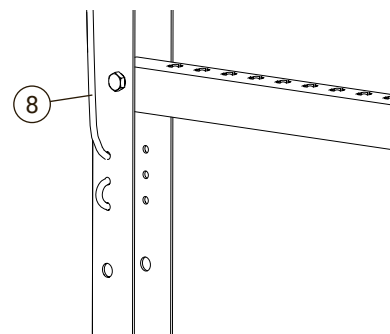
4 Tread surfaces between ladder joints

Fit an extra tread surface (2d) between the ladder joints using 2 M8x50 + locking nuts (2e, 2c).



5 Attachment of wire at the top

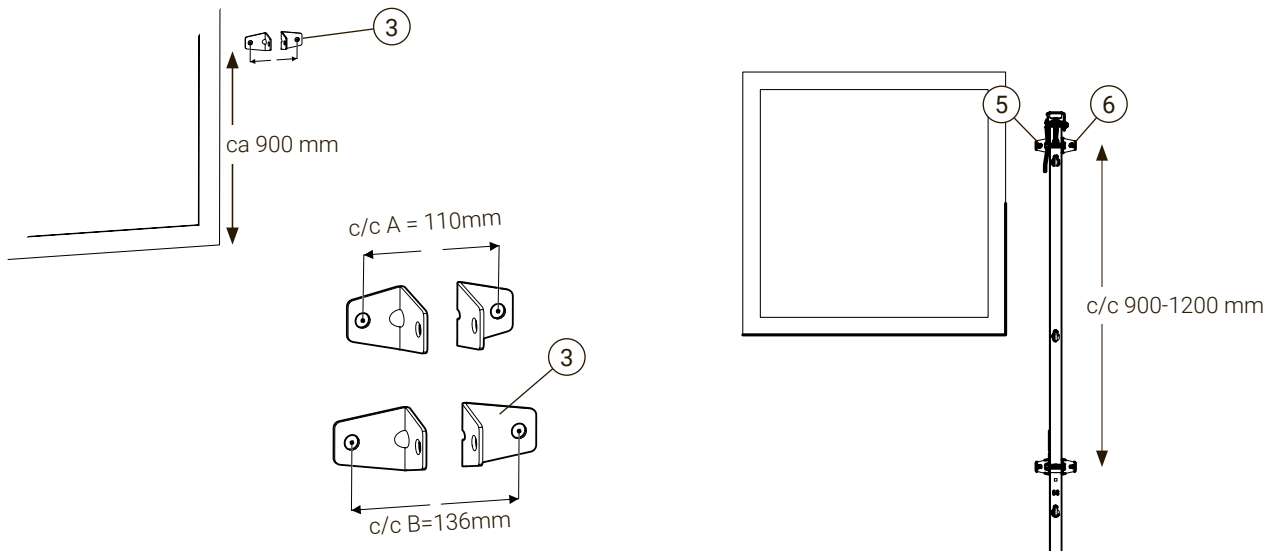
Thread the wire (8) in the lock cover (4).



6 Attachment of wire at the bottom

Adjust the length and fasten the wire (8) at the bottom on the side of the ladder that fastens to the wall. **NB** Check the function prior to assembly.

Alternative 1: Anchoring to wall with angle brackets



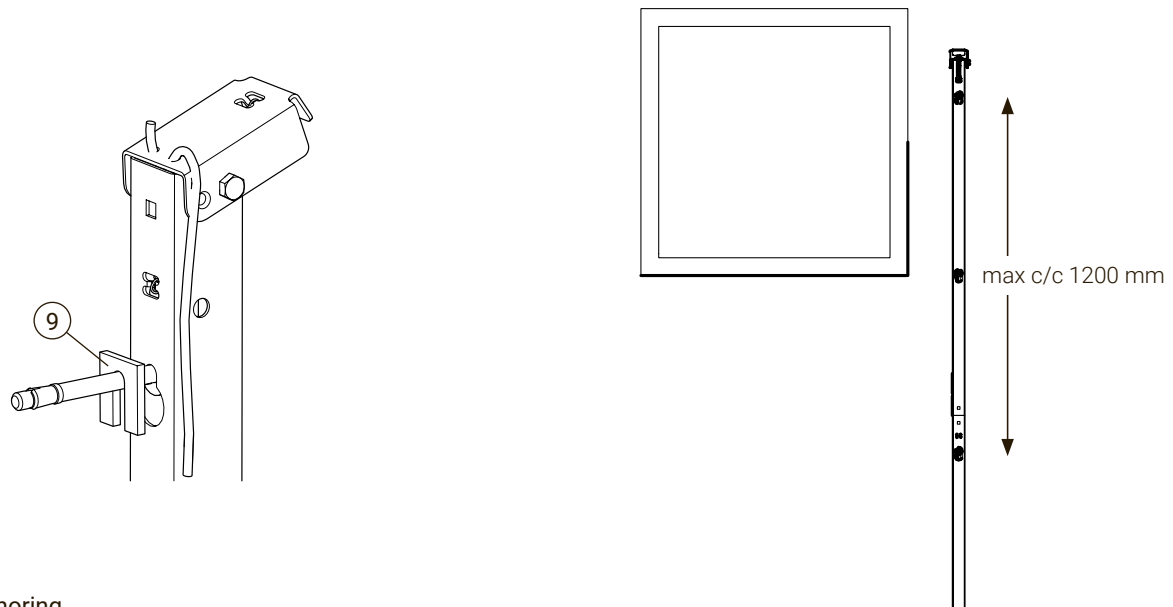
7 Installation of the first bracket

Screw the top bracket (3) to the wall, approx. 900 mm above the windowsill or rung. The bracket (3) can be turned to compensate for unevenness in the wall.

8 Install the remaining brackets.

Hang the ladder from the top pair of brackets using bolt M10x60 + nut. (5, 6) and solder in place. Then install the remaining bracket pairs at c/c 900-1200 mm.

Alternative 2: Anchoring direct to wall without angle brackets



7 Anchoring

Anchor the first attachment point in the wall. Approx. 900 mm above the windowsill or rung. Use suitable protective bolt material. See MA1001 for screw loads. Spacer washers (9) are available as accessory.

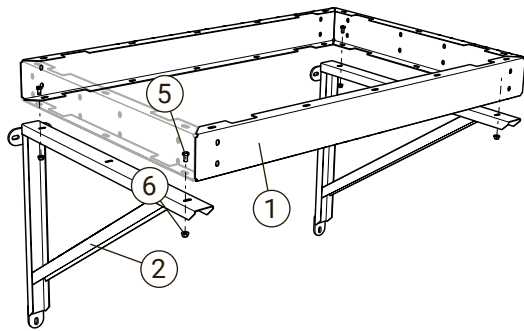
8 Anchoring the remaining brackets.

Hang the ladder from the top anchor point and solder in place. Then, install remaining anchor points at max. c/c 1200 mm

Part	Part no.
1 Platform	PF1007/PF1507/PF2007/ PF1010/PF1510/PF2010
2 Bracket	PK0700/PK1000
3 Suspension bracket	HK0700
4 Grating	PD0705/PD0710/PD1005/ PD1010
5 Bolt M10x20	BU1201/BU1200
6 Flange nut M10	MU1001/MU1010

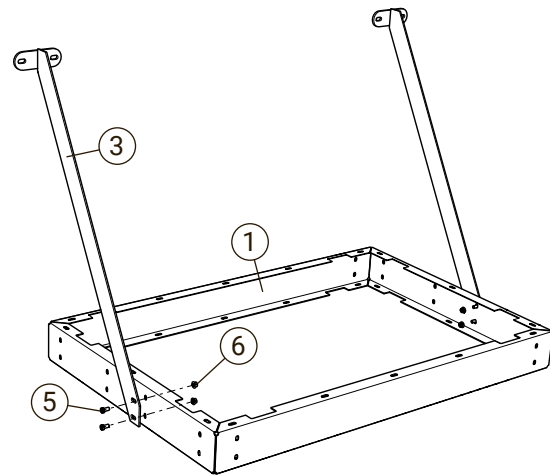
Part	Part no.
7 Lock washer for M10 nut	UL4201
8 Side bracket L	UV1001
9 Side bracket R	UV1002
10 J-hook M8x48	JK8481
11 Flange nut M8	MU0801/MU0805
12 Self-tapping screw 5.5x22	SS5221/SS5225
13 Kick strip	SL0710/SL1010/SL1510/SL2010

For wall mounts, see MA1001 for dimensioning



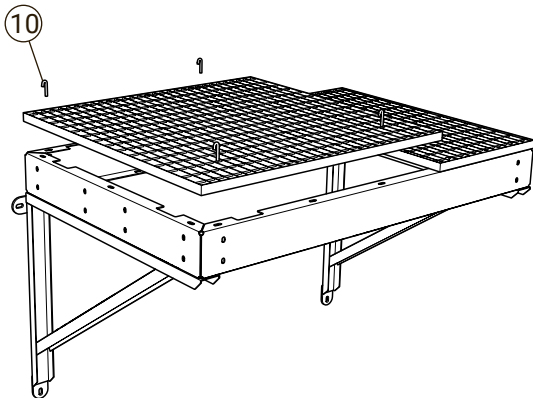
1a. Mounting of wall bracket

Mount the brackets (2) on the wall using 6 screw joints (NB Screw joints are NOT included. See MA1001 for grade)
Attach the platform (1) using 4 bolts (5) + nuts (6) to the brackets.



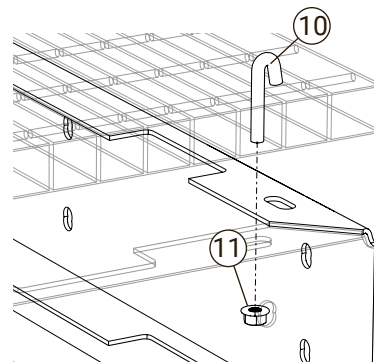
1b. Installation of suspension bracket

Mount the suspension brackets (3) on the wall using 4 screw joints.
(NB Screw joints are NOT included. See MA1001 for grade)
Fit at least 2 screw joints in the platform (1) against the wall (NB Screw joints are NOT included).
Attach the platform (1) using 4 bolts (5) + nuts (6) to the suspension brackets.



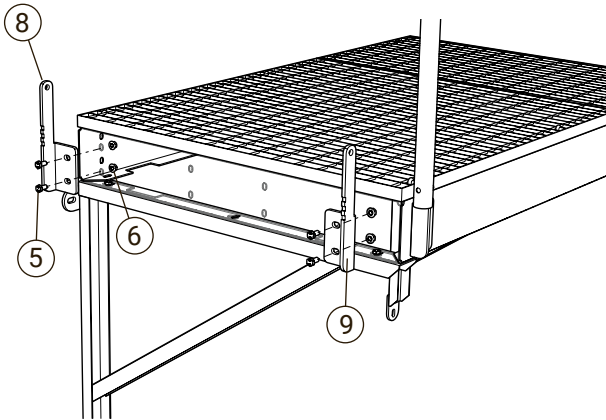
2. Installation of grating

Fasten the grating using 4 J-hooks (10)+ nuts(11).



Detail diagram, fastening using J-hook

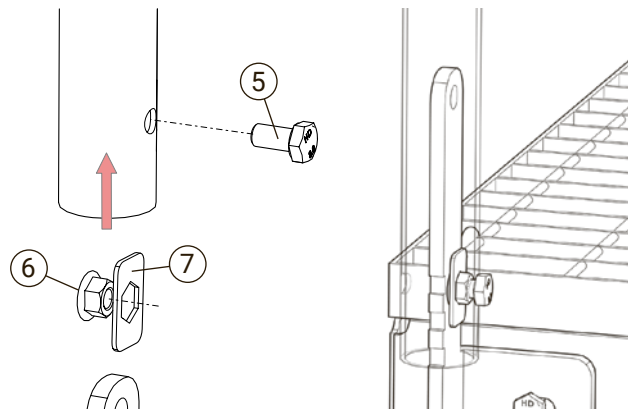
Fasten the grating using 4 J-hooks (10)+ nuts(11).



3. Installation of side brackets

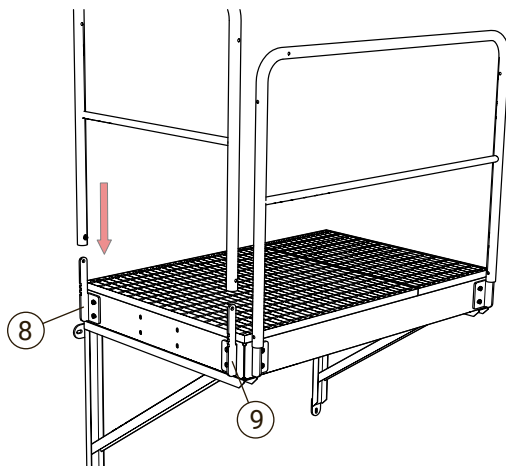
Screw the right and left side brackets (8,9) using 2 bolts (5) + nuts (6) per bracket.

NB Keep an eye on the right / left side



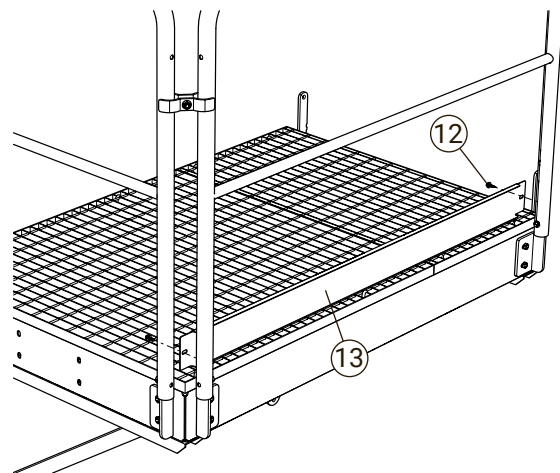
4. Installation of railing lock

Fit a nut (6) + lock washer (7) on a railing lock. Insert the railing tube and fit a bolt (5).



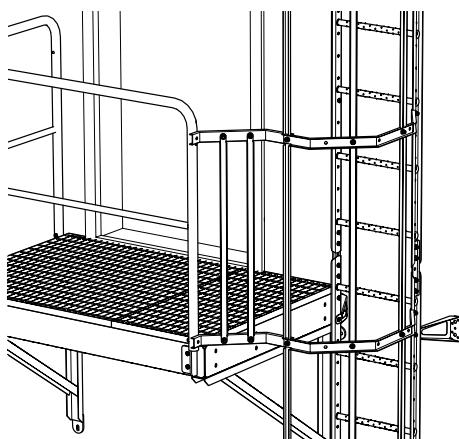
5. Installation of railing

Thread the railing on the right and left side brackets (8,9). Lock securely by tightening the bolt.



6. Installation of kick strip


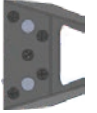


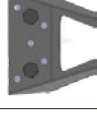



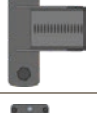
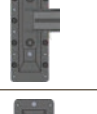
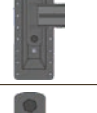

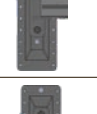

Any kick strip (13) is to be fitted using 2 self-tapping screws (12).







7. Connection to ladder

When connecting to a platform, the guard frame is to be adjusted so that the back frame is connected to the railing.

For facade ladder in accordance with SS 83 13 40

Type of attachment		Tensile force / screw	Transverse force / screw
Bracket KS0150 with 2 screws for wall		3.5 kN	1.4 kN
Bracket KS0150 with 5 screws for wall		1.8 kN	0.6 kN
Bracket KS0150 + Mounting plate FP0300 with 2 screws for wall		1.9 kN	1.4 kN
Bracket KS0150 + Mounting plate FP0300 with 6 screws for wall		0.4 kN	0.5 kN
Bracket KS0300 with 2 screws for wall		7.0 kN	1.5 kN
Bracket KS0300 with 5 screws for wall		3.5 kN	0.6 kN
Bracket KS0300 + Mounting plate FP0300 with 2 screws for wall		3.7 kN	1.5 kN
Bracket KS0300 + Mounting plate FP0300 with 6 screws for wall		0.7 kN	0.5 kN
KS4570 with 2 screws for wall		10.4 kN	1.6 kN
KS4570 + Mounting plate FP0300 with 2 screws for wall		7.9 kN	1.6 kN
KS4570 + Mounting plate FP0300 with 6 screws for wall		1.4 kN	0.5 kN
KS7010 with 2 screws for wall		14.4 kN	1.6 kN
KS7010 + Mounting plate FP0300 with 2 screws for wall		10.9 kN	1.6 kN
KS7010 + Mounting plate FP0300 with 6 screws for wall		2.0 kN	0.5 kN

For collapsible ladder in accordance with SS 83 13 40

Type of attachment		Tensile force / screw	Transverse force / screw
Bracket FB0012 with 2 screws for wall		2.1 kN	0.6 kN
Bracket FB0012 + Mounting plate FP0300 with 6 screws for wall		0.5 kN	0.2 kN
Bracket FB0012 + Mounting plate FP0300 with 12 screws for wall		0.1 kN	0.1 kN
Back-mounted Mounting Plate FP0300 with 6 screws for wall		0.2 kN	0.2 kN

For platform in accordance with EKS 8

Bracket PK0700 with 3 screws for wall		1.7 kN	3.4 kN
Bracket PK1000 with 3 screws for wall		2.4 kN	3.5 kN
Suspension bracket HK0700 with 2 screws for wall		3.4 kN	5.5 kN

For standing platform

Standing platform SP0400 with 4 M10 screws for wall		2.9 kN	1.3 kN
Standing platform SP0400 with 6 M6 screws for wall		1.6 kN	0.9 kN

For handrails

Handrail HL0300 with 4 M8 screws for wall		1.1 kN	0.5 kN
Handrail HL0300 with 8 M6 screws for wall		0.6 kN	0.3 kN



WE CAN ALSO SUPPLY

Roof protection from Weland AS. Protective railings, solar panel mounts, snow catchers, roof bridges, roof ladders, wire systems, ridge railings, and eaves railings.

Do you need help finding straight-ahead staircases, spiral staircases, stair treads, gratings, mezzanine, entrance systems, wheelchair ramps, railings, or outdoor environmental products that suit your environment?

Contact our experienced sales team for more information.

